

Hustler[®] 3700 CE

Parts Manual



HUSTLER[®]

•••••

Excel Industries, Inc.

••••

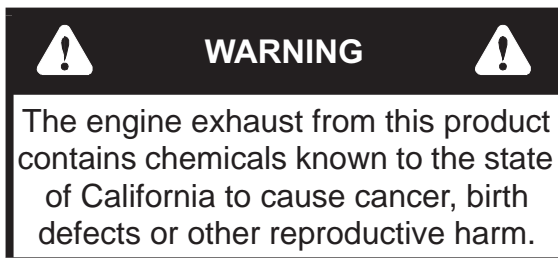
200 South Ridge Road

•••

Hesston, Kansas

•

67062-2097



NOTICE OF REQUIREMENT OF SPARK ARRESTER MUFFLER

This equipment may create sparks that can start fires around dry vegetation. California Public Resources Code Section 4442.6 provides that it is unlawful to use or operate an internal combustion engine on any forest-covered, brush-covered, or grass-covered land unless the engine is equipped with a spark arrester maintained in effective working order. A spark arrester is a device constructed of nonflammable materials specifically for the purpose of removing and retaining carbon and other flammable particles over 0.0232 of an inch in size from the exhaust flow of an internal combustion engine that uses hydrocarbon fuels or which is qualified and rated by the United States Forest Service. Other states or federal areas may have similar laws. The Operator Should Contact Local Fire Agencies For Laws or Regulations Relating to Fire Prevention Requirements. **THIS EQUIPMENT DOES NOT HAVE A SPARK ARRESTER AND YOU SHOULD CONTACT YOUR AUTHORIZED DEALER FOR THE PURCHASE OF A SPARK ARRESTER.**

Inspect spark arrester daily; replace every 500 hours or as needed.

The Engine Owner's Manual provides information regarding the U.S. Environmental Protection Agency (EPA) and the California Emission Control Regulation of emission systems, maintenance and warranty.

Keep Engine Owner's Manual with your unit. Should the Engine Owner's Manual become damaged or illegible, replace immediately. Replacements may be ordered per the information found in the Product Information section of the owner's manual.

Federal law and California State law prohibit the following acts or the causing thereof:

1. The removal or rendering inoperative by any person other than for purposes of maintenance, repair, replacement, of any device or element of design incorporated into any equipment for the purposes of emissions control prior to or after its sales or delivery to the ultimate purchaser or while it is in use, or
2. The use of the equipment after such device or element of design has been removed or rendered inoperative by any person.

Table of Contents

Section 1

Service Literature	1-1
Using This Manual	1-1
Hardware Description Codes & Abbreviations	1-2
Standard Torques	1-2

Section 2

Chassis & ROPS	2-2
Body Panels	2-4
Fire Wall	2-6

Section 3

Attachment Lift Arms	3-2
Lift Cylinder Breakdown	3-4

Section 4

Steering Column & Foot Rest	4-2
Cruise Control Kit	4-4
Instrument Panel	4-6
Throttle & PTO Levers	4-8
3700 Power Unit CE Components	4-10
Park Brake & Speed Range/4WD Levers	4-12
Hydrostatic Transmission Pedals	4-14
Brake Pedals	4-16

Section 5

Transmission Levers & Actuators	5-2
Transmission Front Gears & Bearings	5-4
Transmission Rear Gears & Bearings	5-6
Clutch Assembly	5-8
Front Axle Differential	5-10
Parking Brake Cable Retention	5-12
Brake Assembly – S/N 11090597 & Higher	5-13
Brake Assembly – S/N Prior to 11090597	5-14
Rear Axle & Drop Box (FWD)	5-18
Steering Cylinder	5-22

Section 6

Control Valve & Hydraulic Pump	6-2
Control Valve	6-4
Hydraulics Filters	6-6
Hydrostatic Drive Coupling	6-8
HST Assembly	6-10
Hydraulic Pump	6-13
Steering Case Hydraulics	6-14

Section 7

Exhaust Manifold	7-2
Air Cleaner & Muffler	7-4

Radiator	7-6
Engine Support.	7-8
Fuel Tank	7-10
Fuel Lines & Battery	7-12

Section 8

Wire Harness	8-2
------------------------	-----

Section 9

Control Decals	9-2
Power Unit Decals—S/N Prior to 09080000.	9-4
Power Unit Decals—S/N 09080000 & Higher	9-6
Wheel Assembly.	9-8

Section 10

Seat Assembly—S/N Prior to 09080000	10-2
Seat Assembly—S/N 09080000 through 11090597.	10-4
Seat Assembly—S/N 11090597 through 13051165.	10-6
Seat Assembly—S/N 13051166 & Higher	10-8
Seat Service Parts	10-10
Counter Weights—S/N Prior to 09050499	10-14

Section 1

*This Manual covers the Hustler® 3700 model **928713CE**.*

Service Literature

PART NO.	DESCRIPTION
109627CE	OWNER'S MANUAL
109821	ENGINE OWNER'S MANUAL
110749	ENGINE PARTS MANUAL N843 & N843L
109822	GENERAL SERVICE MANUAL

Note: When ordering parts, you must use the part number as shown for each part, not the index number. Always give the model and serial number to your parts and service representative.

Note: Items sold in bulk such as seals and hoses are sold by the foot.

Using This Manual

This manual is part of a service package for the Hustler® mowers. Use of this manual in conjunction with other Hustler® mower and component manuals will provide the information necessary to service and maintain Hustler® mowers.

This Parts Manual provides a complete parts listing for the unit. Use this manual when ordering parts. Illustrations used were current at the time of printing, but subsequent production changes may cause your machine to vary slightly in detail. Excel Industries, Inc. reserves the right to redesign and change the machine as deemed necessary, without notification. If a change has been made to your machine which is not reflected in this parts manual, see your authorized dealer for current information and parts.

The Service Manual is a service guide for use by Service Technicians. It provides the necessary information needed to perform normal maintenance requirements on these units.

The Operator's Manual provides fundamental operational information and operational safety that is needed when operating the mower.

The component manuals are furnished by the various manufacturers to be used for the troubleshooting and servicing of their products.

Hardware Description Codes & Abbreviations

The following codes are used throughout this parts manual. Refer to this list when ordering parts.

ABBREVIATION	DESCRIPTION	ABBREVIATION	DESCRIPTION
CB	CARRIAGE BOLT	MB	MACHINE BUSHING
CE	CLEVIS PIN	MS	MACHINE SCREW
CN	CLIP NUT	NT	NUT
CP	COTTER PIN	SC	SELF TAPPING CAP SCREW
CS	CAP SCREW	SH	SOCKET HEAD
CW	CUP WASHER	SB	SHOULDER BOLT
FDRW	FENDER WASHER	SS	SET SCREW
FW	FLAT WASHER	OD	OUTSIDE DIAMETER
HX	HEX HEAD	ID	INSIDE DIAMETER
LW	LOCK WASHER		

Standard Torques

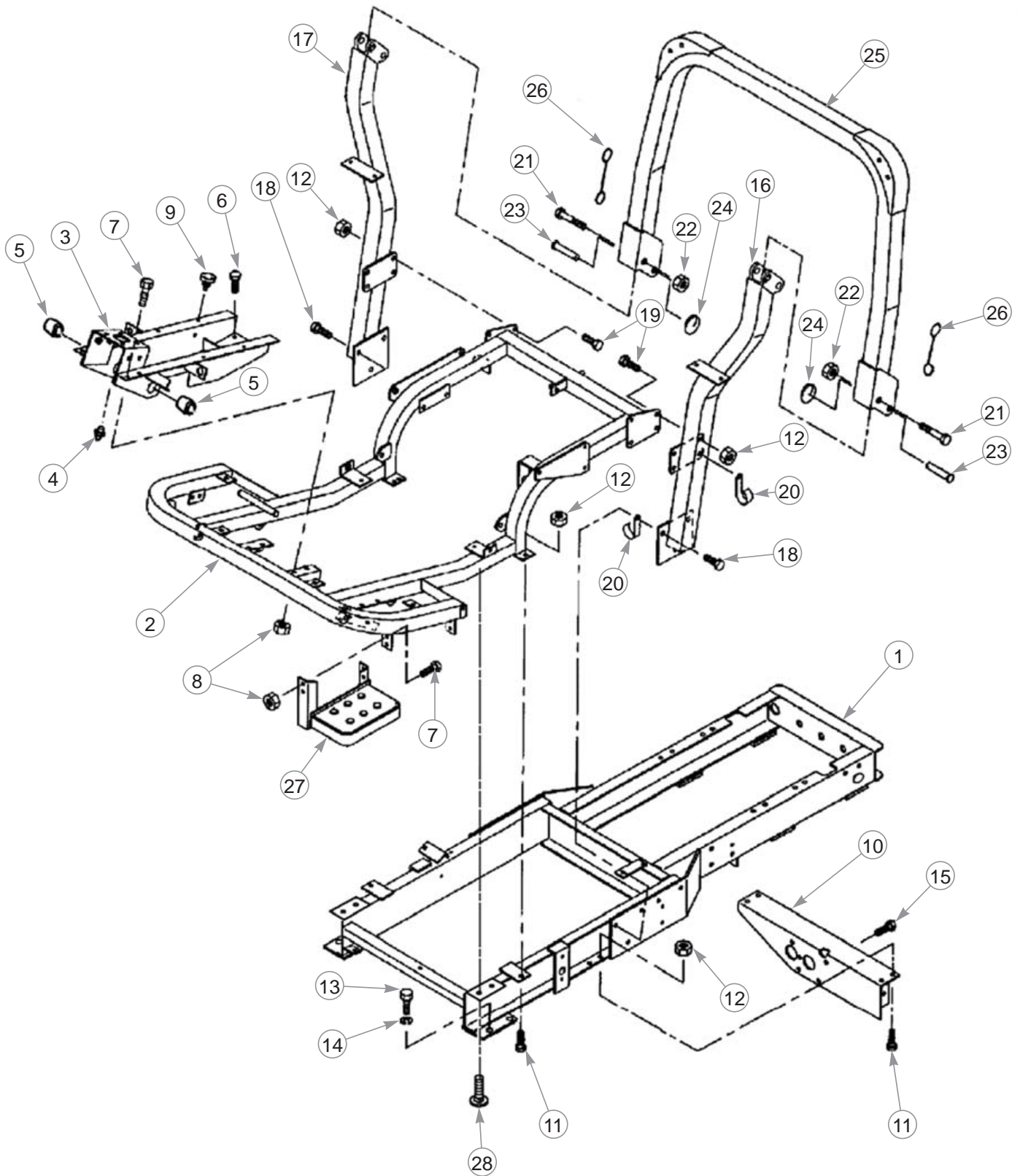
The following chart lists the standard torque values for the threaded fasteners found in this manual. Torque all cap screws, nuts and set screws to these values unless a different torque is shown in the Notes section next to the fastener.

SIZE	FT-LBS	N-M	SIZE	FT-LBS	N-M
.250	8.2	11.1	M3	1	1.3
.312	17	23	M4	2.2	3
.375	30	40	M5	4.5	6.1
.438	48	65	M6	7.7	10.4
.500	73	99	M8	18.5	25
.562	105	143	M10	37	50
.625	145	200	M12	64	87
.750	260	350	M14	80	108.5
.875	420	565	M16	160	215
1.00	625	850	M20	320	435
			M24	555	750

Section 2

Chassis & ROPS	2-2
Body Panels	2-4
Fire Wall	2-6

Chassis & ROPS

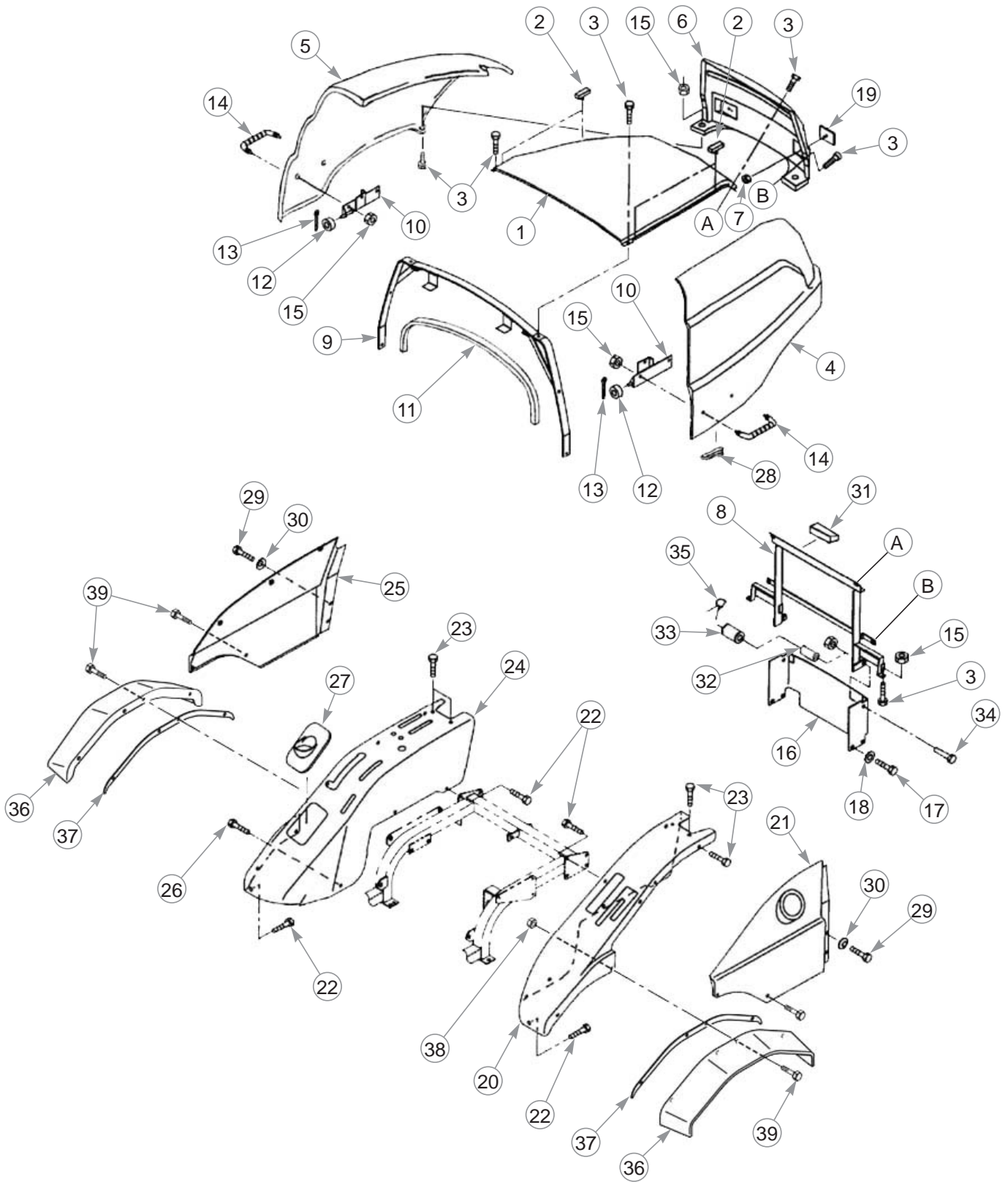


Chassis & ROPS

INDEX NO.	PART NO.	QTY.	DESCRIPTION
1	320551654	1	REAR FRAME
2	320551671	1	FRONT FRAME
3	320551690	1	CENTER SUPPORT FRAME
4	060610000	1	M6 X .075 GREASE FITTING
5	398510070	2	BUSHING
6	011510820	2	M8 X 1.25 X 20 BOLT
7	010310820	8	M8 X 20, 8.8 HEX BOLT
8	021500008	8	NUT
9	398110110	4	RUBBER BUMPER
10	320560771	1	SIDE BRACKET
11	010311020	6	M10 X 20, 8.8 FULL THD HEX BOLT
12	021500010	12	NUT
13	010411425	4	M14 X 25 BOLT
14	027100014	4	9/16" LOCK WASHER
15	011511020	4	M10 X 20 BOLT
16	378306890	1	LS ROPS FRAME
17	378306910	1	RS ROPS FRAME
18	011311225	6	M12 X 25 BOLT
19	010311025	6	M10 X 1.5 X 25 HH CL 8.8 CAP SCREW
20	399111970	2	CLAMP
21	010109502	2	M16 x 90 8.8 HEX BOLT
22	022409003	2	M16 X 1.5 NUT
23	399611460	2	PIN
24	398213410	2	SPRING CLIP
25	378306930	1	ROPS FRAME
26	398230070	2	ROPS WIRE
27	355605290	1	STEP
28	011511020	2	M10 X 20 BOLT

NOTES:

Body Panels

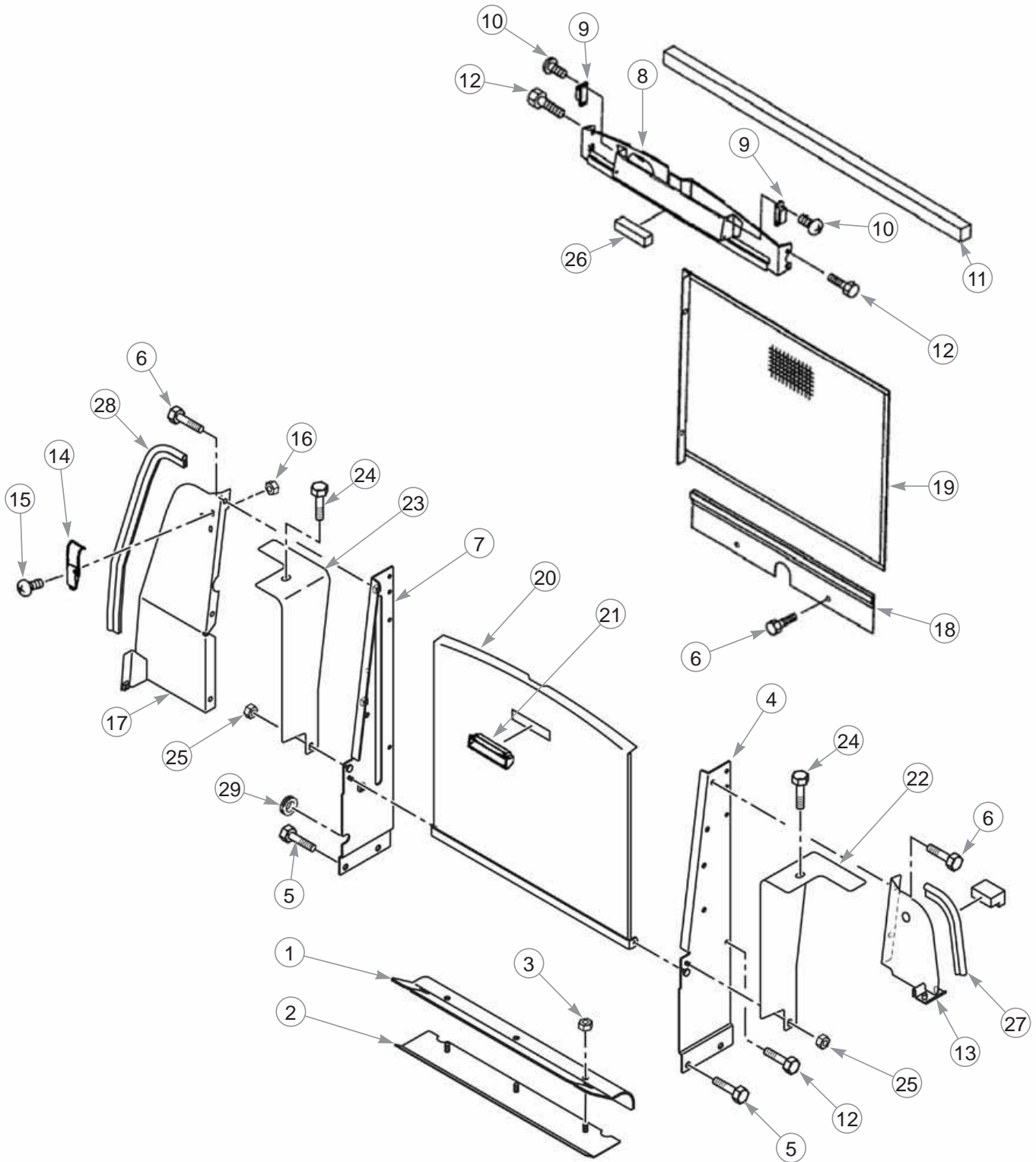


Body Panels

INDEX NO.	PART NO.	QTY.	DESCRIPTION
1	350111380	1	CENTER ENGINE HOOD PANEL
2	398121150	4	HOOD INSERT
3	010800820	8	M8 X 20 8.8 HEX FLG BOLT
4	378107720	1	LS HOOD PANEL
5	378107730	1	RS HOOD PANEL
6	350103830	1	GRILLE SUPPORT
7	023100005	2	M5 X 1 NUT
8	350502753	1	GRILLE SUPPORT
9	350502770	1	HOOD SUPPORT
10	350502781	2	HANDLE BRACKET
11	398131310	1	FELT SEAL
12	398512160	2	HOOD LATCH ROLLER
13	030102516	2	SPLIT (COTTER) PIN
14	398180671	2	HOOD HANDLE
15	023100008	6	M8 X 1.25 NUT
16	350755992	1	GRILLE COVER
17	011511020	4	M10 X 20 BOLT
18	026100010	4	M10 X 20 X 2 SPRING WASHER
19	385150200	2	REFLECTOR LAMP HOOD
20	355105920	1	LEFT FENDER
21	378107740	1	FUEL TANK PANEL
22	010800820	4	M8 X 20, 8.8 HEX FLG BOLT
23	010809007	10	M8 X 14 BOLT
24	355105931	1	RS FENDER
25	378107750	1	LS PANEL
26	010800820	4	M8 X 20, 8.8 HEX FLG, BOLT
27	398120410	1	CUP HOLDER
28	398115430	1	RUBBER WEATHERSTRIP
29	010109435	4	BOLT
30	398211210	4	WASHER
31	398131210	1	FELT SEAL
32	398121440	2	RUBBER SLEEVE
33	399235760	2	COLLAR
34	031311045	2	M10 X 45 PIN
35	031100010	2	SNAP PIN
36	355111970	2	FENDER EXTENSION
37	355171760	2	SET PLATE
38	023100008	4	M8 X 1.25 NUT
39	010800820	6	M8 X 20, 8.8 HEX FLG BOLT

NOTES:

Fire Wall



Fire Wall

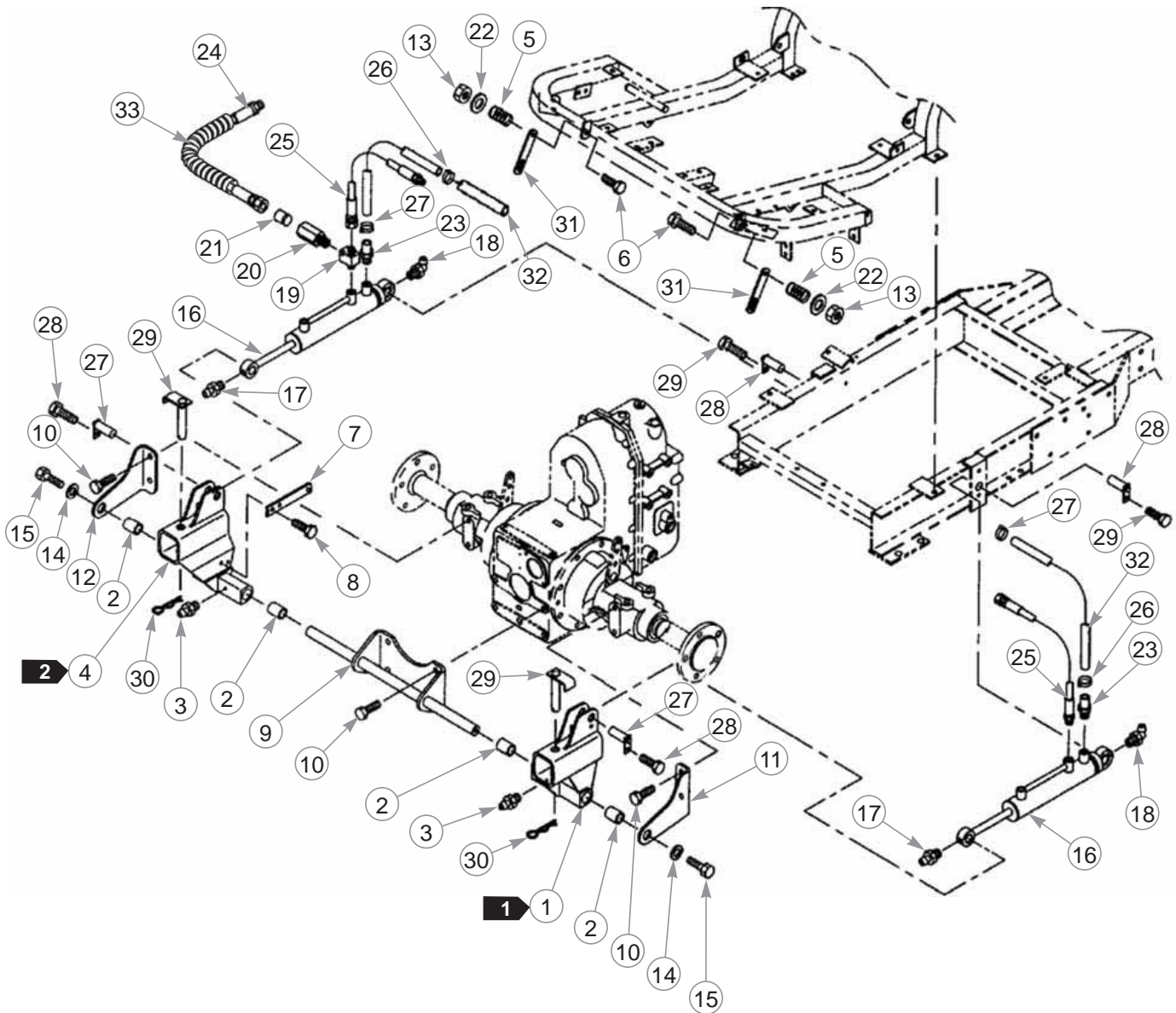
INDEX NO.	PART NO.	QTY.	DESCRIPTION
1	398123020	1	CLEANOUT FLAP
2	310361660	1	MOUNT FLAP
3	023100008	3	M8 X 1.25 NUT
4	310301160	1	LS ROD SUPPORT BRACKET
5	011511020	4	M10 X 20 BOLT
6	010800816	2	M8 X 16 BOLT
7	310301180	1	RS BRACKET
8	310352641	1	TOP ROD SUPPORT BRACKET
9	398330290	2	MAGNET SCREEN FASTENER
10	015600416	4	SCREW
11	398133690	1	RUBBER SEAL
12	010800612	8	M6 X 12 BOLT
13	310353850	1	LS FILLER PLATE
14	398330320	1	LATCH
15	015300512	2	SCREW
16	023100005	2	M5 NUT, CL 10
17	310353870	1	RS FILLER PLATE
18	310353890	1	LOWER SCREEN BRACKET
19	310140910	1	REMOVABLE SCREEN ROD
20	350312260	1	RADIATOR TILT SCREEN
21	398181770	1	RADIATOR SCREEN GRIP HANDLE
22	355780230	1	LS COVER
23	355780250	1	RS COVER
24	010809007	2	M8 X 14 BOLT
25	023100006	2	M6 X 1 NUT
26	398134730	1	80MM RUBBER SEAL
27	398117710	1	260MM RUBBER SEAL
28	398123110	1	510MM RUBBER SEAL
29	398110100	1	GROMMET

NOTES:

Section 3

Attachment Lift Arms	3-2
Lift Cylinder Breakdown	3-4

Attachment Lift Arms



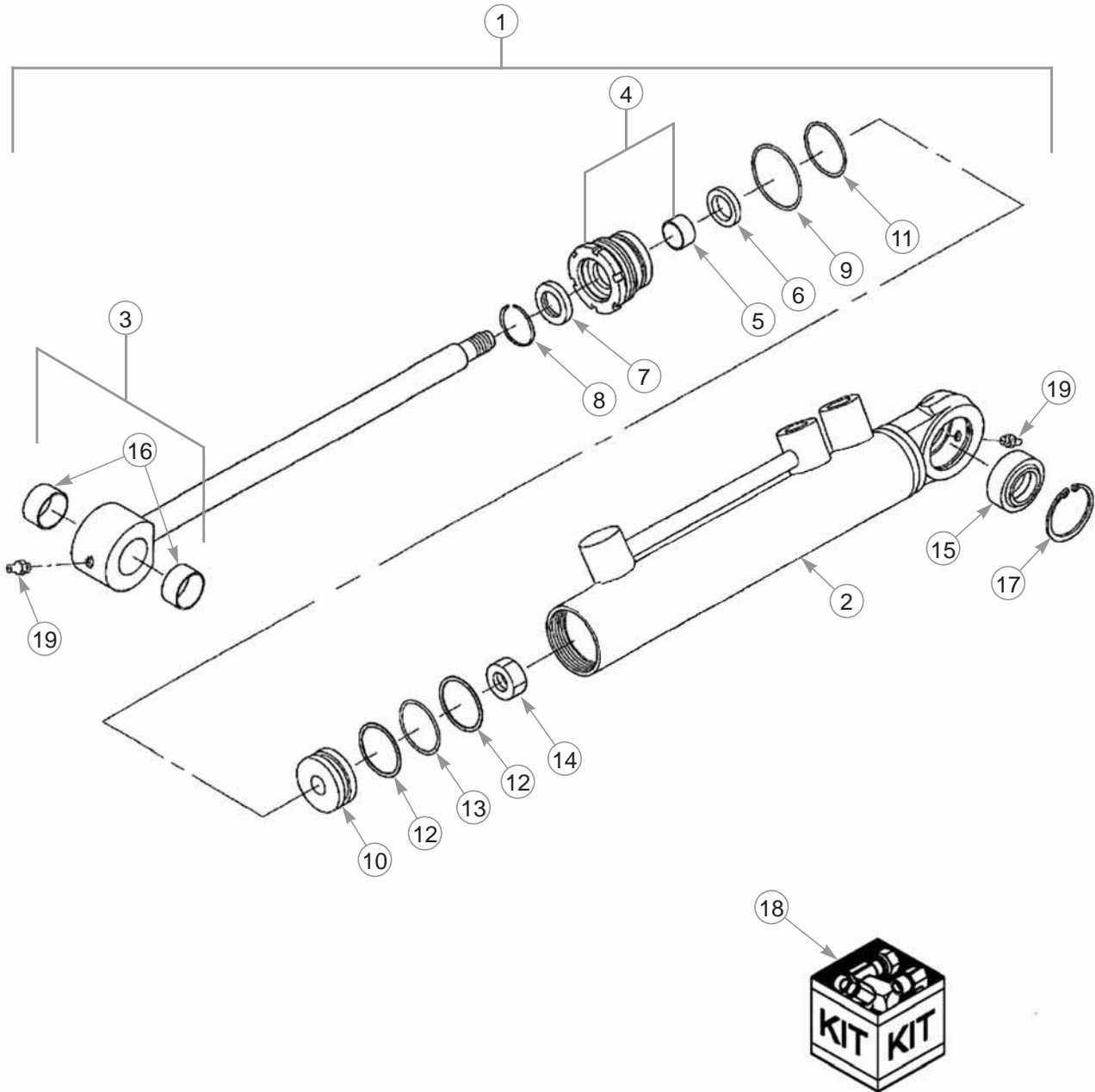
Attachment Lift Arms

INDEX NO.	PART NO.	QTY.	DESCRIPTION
1	344010270	2	LS TOOL BAR LIFT
2	398510300	4	DRIVE BUSHING
3	060610000	2	M6 X .075 GREASE FITTING
4	344010280	2	RS TOOL BAR LIFT
5	398212310	2	SPRING
6	010311040	2	M10 X 40, 8.8, FULL THD HEX BOLT
7	399568720	1	LIFT PLATE
8	011510816	2	M8 X 16 BOLT
9	344902310	1	TOOL BAR PIVOT MOUNT
10	011511230	8	BOLT
11	370310590	1	LS TOOL BAR BRACKET
12	370310610	1	RS TOOL BAR BRACKET
13	022300010	2	NUT
14	026109013	2	WASHER
15	011511020	2	M10 X 20 BOLT
16	344952791	2	LIFT CYLINDER
17	060620000	2	GREASE FITTING
18	060640000	2	GREASE FITTING
19	340673590	1	ADAPTER
20	340672830	1	ADAPTER
21	340170880	1	HYDRAULIC VALVE
22	026100010	2	M10 X 20 X 2 WASHER
23	340673820	2	ADAPTER
24	340692350	1	HYDRAULIC HOSE
25	340690450	1	HYDRAULIC HOSE
26	067200150	4	CLIP
27	399600110	4	PIN
28	011510812	4	M8 X 12 BOLT
29	370900760	2	PIN
30	599730030	2	PIN
31	370770130	2	LATCH
32	385960550	1	HYDRAULIC TUBE
33	385891128	1	SPIRAL TUBE

NOTES:

1. Item 1 includes 2 each of item 2.
2. Item 4 includes 2 each of item 2.

Lift Cylinder Breakdown



Lift Cylinder Breakdown

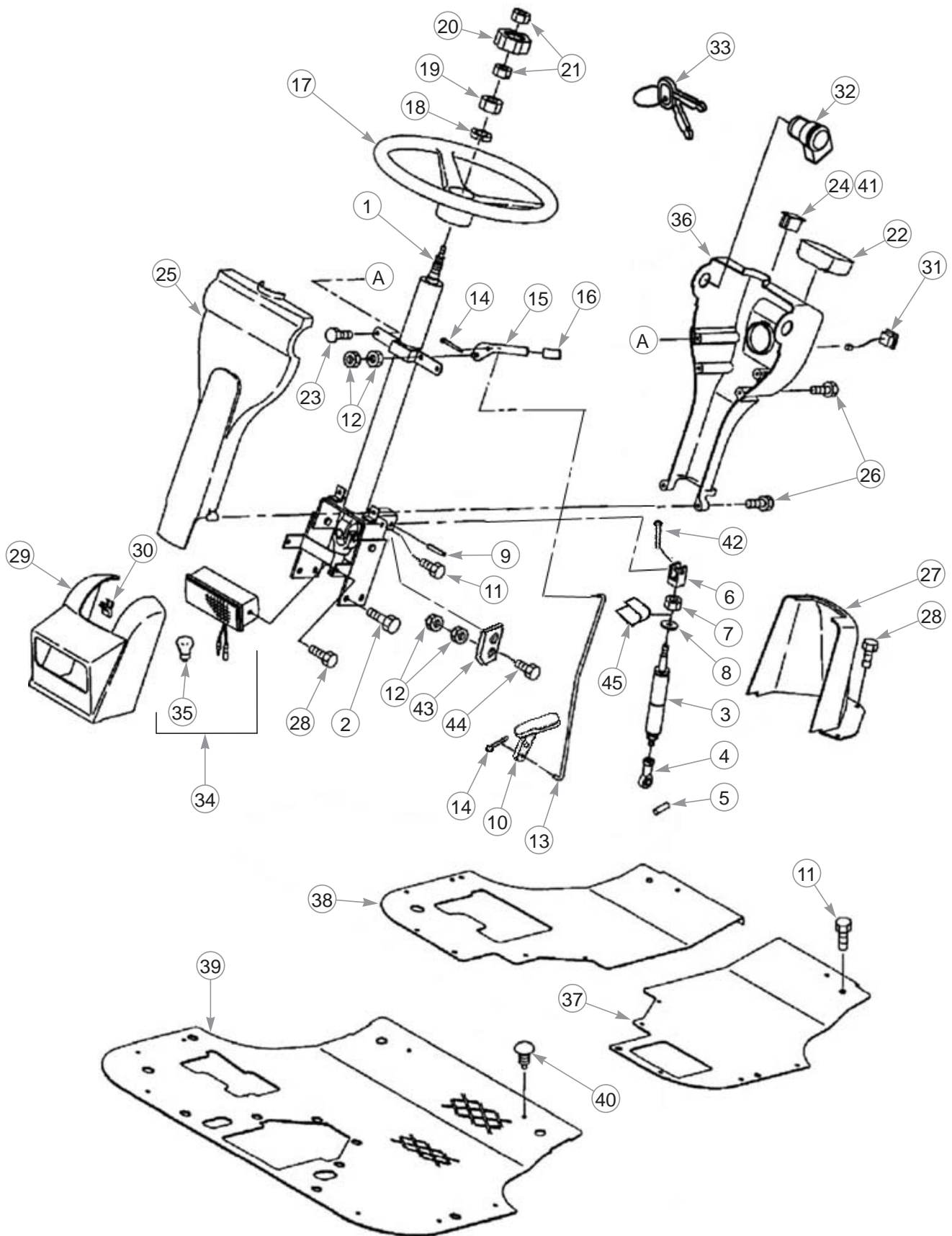
INDEX NO.	PART NO.	QTY.	DESCRIPTION
1	344952791	1	LIFT CYLINDER
2	N/A	1	CYLINDER TUBE, NOT SERVICED SEPARATELY
3	N/A	1	PISTON ROD KIT, NOT SERVICED SEPARATELY
4	344960452	1	HYDRAULIC CYLINDER GUIDE KIT
5	344960429	1	BUSHING
6	N/A	1	ROD BACKING, NOT SERVICED SEPARATELY
7	N/A	1	DUST SEAL, NOT SERVICED SEPARATELY
8	344960437	1	SNAP RING
9	052400520	1	O-RING
10	N/A	1	PISTON, NOT SERVICED SEPARATELY
11	052310300	1	BACK-UP O-RING
12	N/A	2	BACK UP RING, NOT SERVICED SEPARATELY
13	052110290	1	O-RING
14	020910012	1	M12 NUT
15	344960436	1	LIFT CYLINDER BEARING
16	344960432	2	BUSHING
17	N/A	1	SNAP RING, NOT SERVICED SEPARATELY
18	344960440	1	LIFT CYLINDER SEAL KIT
19	060620000	2	45°, 1/8" NPT X 7/8" LG GREASE FITTING

NOTES:

Section 4

Steering Column & Foot Rest	4-2
Cruise Control Kit.	4-4
Instrument Panel	4-6
Throttle & PTO Levers.	4-8
3700 Power Unit CE Components.	4-10
Park Brake & Speed Range/4WD Levers	4-12
Hydrostatic Transmission Pedals	4-14
Brake Pedals	4-16

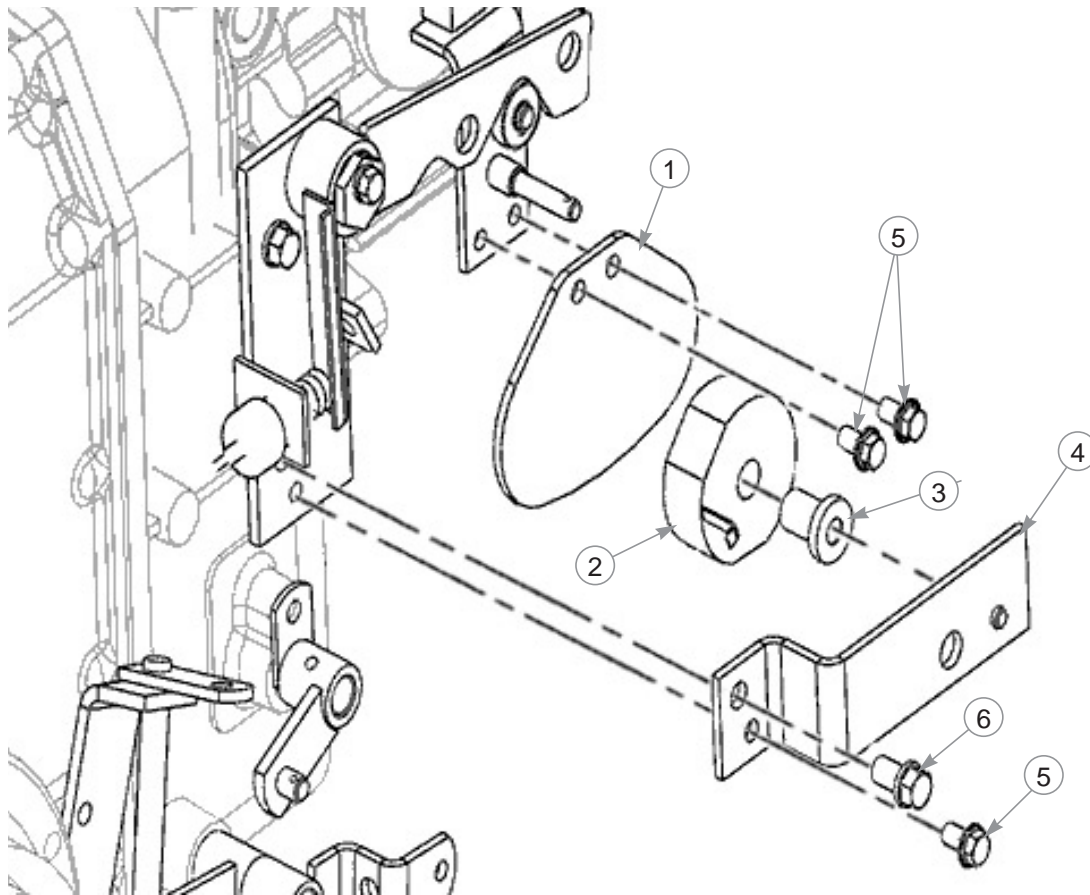
Steering Column & Foot Rest



Steering Column & Foot Rest

INDEX NO.	PART NO.	QTY.	DESCRIPTION
1	334040401	1	STEERING COLUMN
2	011511020	4	M10 X 20 BOLT
3	378910250	1	STEERING TILT DAMPER
4	334801330	1	DAMPER ROD END
5	030509021	1	45MM PIN
6	324120990	1	TILT DAMPER YOKE
7	020900010	1	M10, CL 8 NUT
8	026109023	1	WASHER
9	031310845	1	ROLL PIN
10	399581540	1	TILT ROD BRACKET
11	010800816	7	M8 X 16 BOLT
12	020100006	4	M6, CL 10 NUT
13	358511240	1	TILT STEERING ROD
14	030102020	2	SPLIT (COTTER) PIN
15	399581320	1	TILT HANDLE
16	398181300	1	TILT HANDLE GRIP
17	334310210	1	STEERING WHEEL
18	027100014	1	9/16" LOCK WASHER
19	020800014	1	NUT
20	334320171	1	STEERING ADJUSTING KNOB
21	020109125	1	NUT
22	N/A	1	INSTRUMENT PANEL, NOT SERVICED SEPARATELY
23	010800612	2	M6 X 12 BOLT
24	385202100	1	CRUISE CONTROL SWITCH
25	350711570	1	FRONT STEERING COLUMN COVER
26	011109012	4	SCREW
27	350320390	1	LOWER COLUMN COVER
28	010800616	6	M6 X 16 BOLT
29	350320400	1	HEADLIGHT COVER
30	398340460	2	CLIP
31	385201810	1	LIGHT SWITCH
32	385202110	1	IGNITION SWITCH (WITH KEY)
33	385210280	1	IGNITION KEY
34	385101910	1	FRONT HEADLIGHT LAMP (WITH BULB)
35	385120700	1	23W BULB FT HEADLIGHT
36	350711580	1	REAR STEERING COLUMN COVER
37	355605070	1	LS PAN
38	355605150	1	RS PAN
39	398120961	1	FLOOR MAT
40	398340240	10	PUSH CLIP
41	385071210	1	CRUISE CONTROL KIT WITH SWITCH
42	030102520	1	SPLIT (COTTER) PIN
43	399581550	1	PLATE
44	010800620	1	BOLT
45	398216290	1	SPRING

Cruise Control Kit

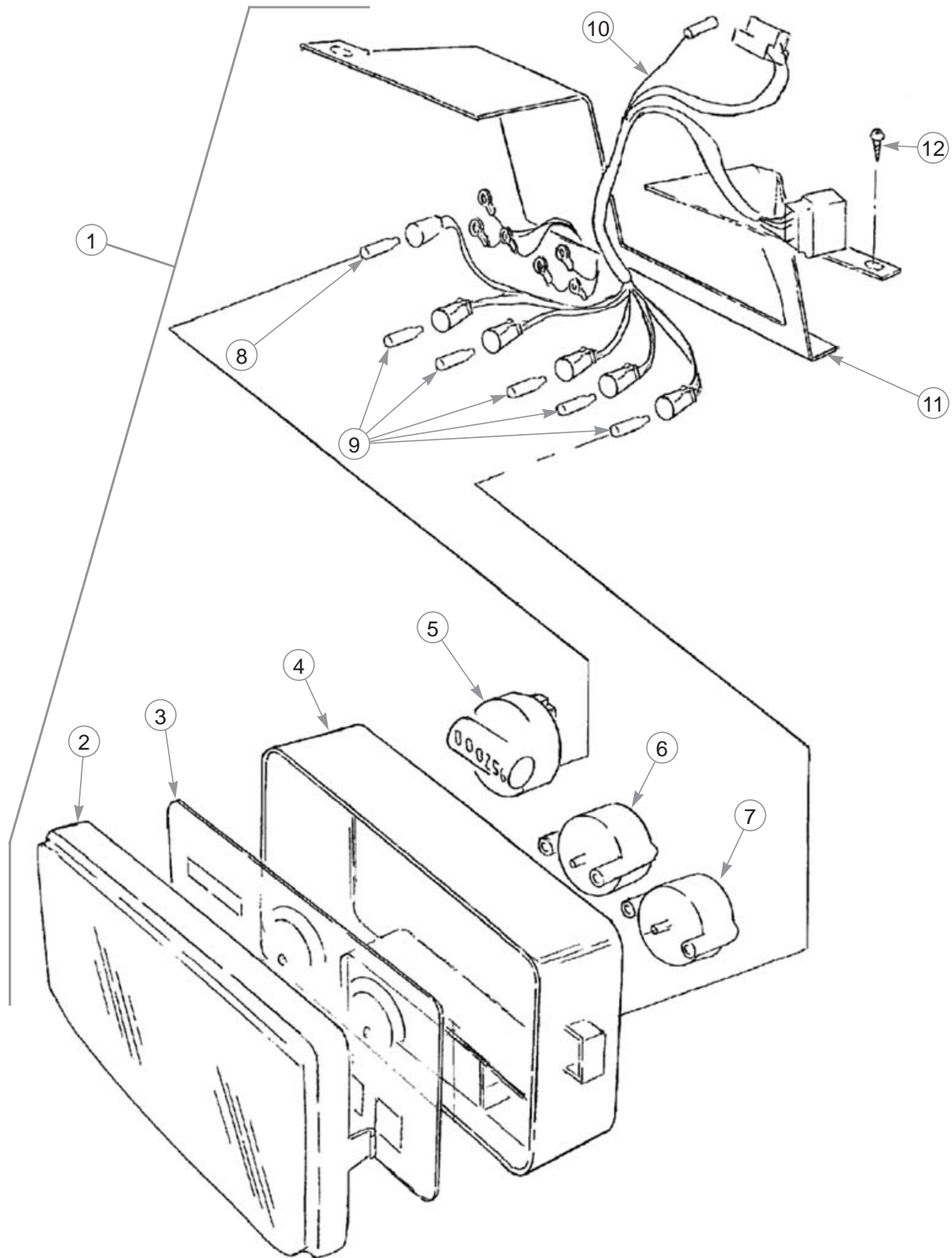


INDEX NO.	PART NO.	QTY.	DESCRIPTION
1	399568751	1	PLATE
2	385310021	1	CRUISE CONTROL MAGNET
3	398511990	1	PLASTIC BUSHING
4	399568740	1	MAGNET SUPPORT BRACKET
5	010800814	3	M8 X 14 BOLT
6	011511025	1	M10 X 25 BOLT

NOTES:

This page intentionally left blank.

Instrument Panel

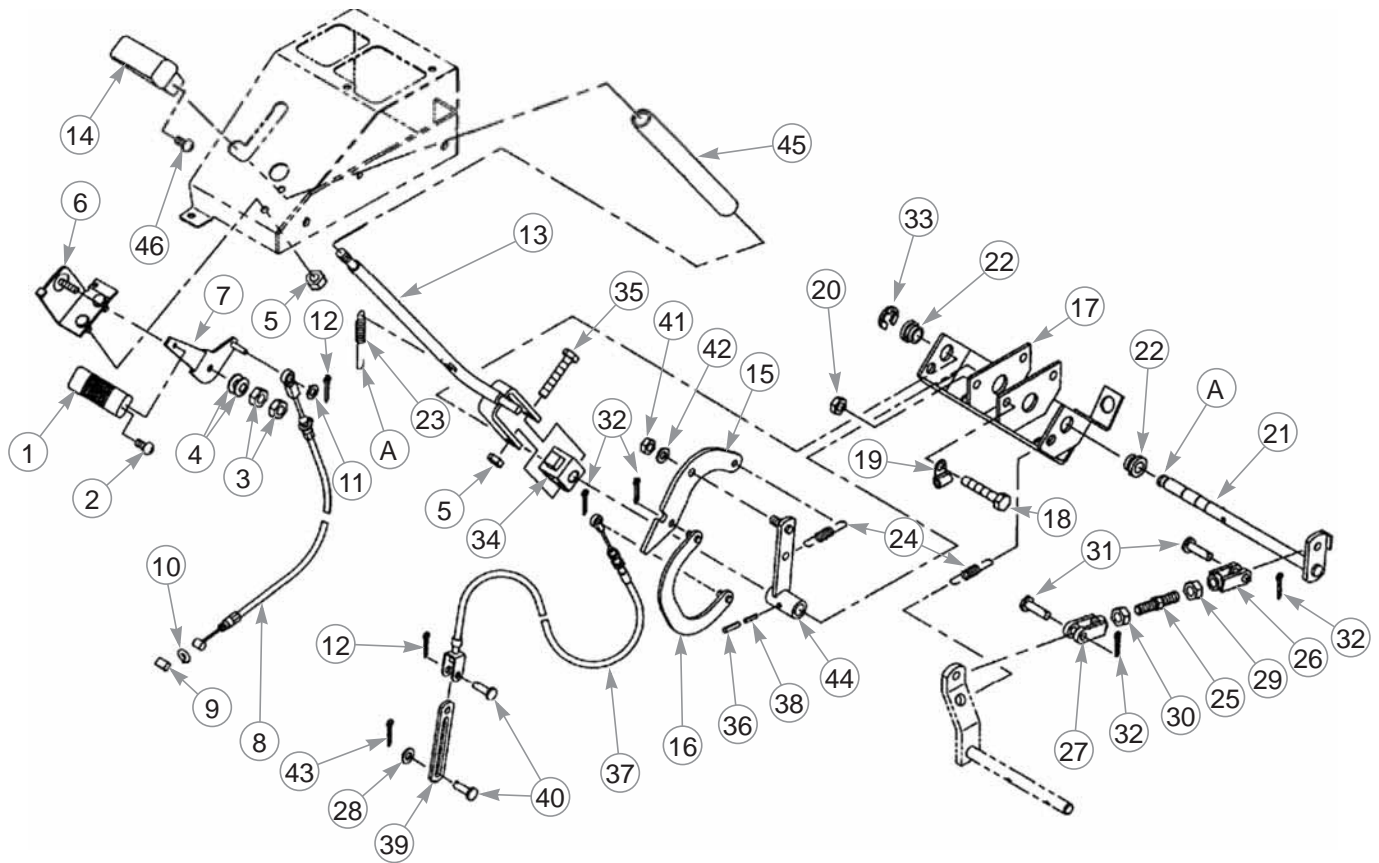


Instrument Panel

INDEX NO.	PART NO.	QTY.	DESCRIPTION
1	385040990	1	INSTRUMENT CLUSTER (INCLUDES ITEMS 2-12)
2	385470300	1	INSTRUMENT CLUSTER COVER
3	N/A	1	GAUGE PLATE, NOT SERVICED SEPARATELY
4	N/A	1	BODY, NOT SERVICED SEPARATELY
5	N/A	1	HOUR METER, NOT SERVICED SEPARATELY
6	N/A	1	TEMPERATURE GAUGE, NOT SERVICED SEPARATELY
7	N/A	1	FUEL GAUGE, NOT SERVICED SEPARATELY
8	385470302	1	12V, 2W BULB
9	385470301	5	12V, 3W BULB
10	N/A	1	WIRE HARNESS, NOT SERVICED SEPARATELY
11	N/A	1	SUPPORT PLATE, NOT SERVICED SEPARATELY
12	015600412	8	M4 X 12 SCREW

NOTES:

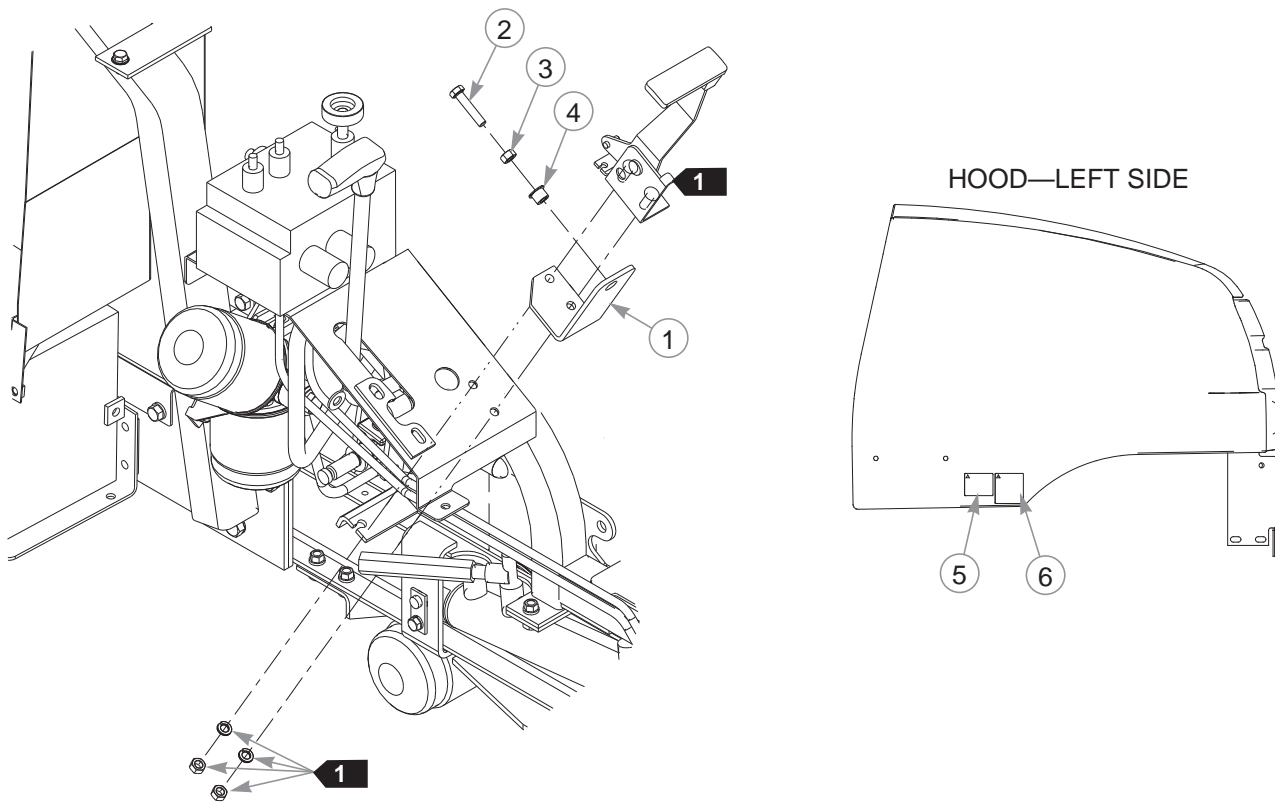
Throttle & PTO Levers



Throttle & PTO Levers

INDEX NO.	PART NO.	QTY.	DESCRIPTION
1	398180921	1	THROTTLE HANDLE GRIP
2	015140512	1	SCREW
3	020100008	2	M8, CL 8 NUT
4	398212210	1	THROTTLE LEVER SPRING
5	021500008	2	NUT
6	312500502	1	THROTTLE LEVER BRACKET
7	312100931	1	THROTTLE CABLE LEVER
8	312070670	1	THROTTLE CONTROL CABLE
9	398114451	1	RUBBER BUSHING,
10	036800004	2	SNAP RING
11	026100006	1	M6 X 12 X 1.6 WASHER
12	030102025	2	SPLIT (COTTER) PIN
13	324108170	1	PTO CLUTCH LEVER (S/N 09060420 & HIGHER)
	324108031	1	PTO CLUTCH LEVER (S/N PRIOR TO 09060420)
14	398182120	1	PTO HANDLE GRIP
15	324541560	1	PTO CLUTCH LINKAGE(S/N 09060420 & HIGHER)
	324541301	1	PTO CLUTCH LINKAGE(S/N PRIOR TO 09060420)
16	324501270	1	PTO CLUTCH GUIDE
17	324501280	1	PTO PIVOT MANT.
18	010311070	2	M10 X 70, 8.8 HEX BOLT
19	399113650	1	CLAMP
20	020310010	2	NUT
21	320201131	1	PTO LINKAGE SHAFT
22	398511320	2	BUSHING
23	398214590	1	SPRING
24	498221100	2	SPRING
25	399410140	1	ADJUSTER BOLT
26	358560180	1	YOKE END
27	358560190	1	YOKE END
28	026100008	1	M8 X 16 X 1.6 WASHER
29	021500010	1	NUT
30	021000012	1	M12 X 1.5 CL 8 NUT
31	031311030	2	PIN
32	030103225	4	SPLIT (COTTER) PIN
33	036800012	1	SNAP RING
34	324121000	1	PTO CLUTCH STOP
35	399431070	1	BOLT
36	030303532	1	PIN
37	312700650	1	PTO CLUTCH CABLE
38	030300632	1	PIN
39	399568730	1	SLOTTED POT LINKAGE
40	031310820	2	PIN
41	022300010	1	NUT
42	399211890	1	M10 X 21 X 2 WASHER
43	030102015	1	PIN, SPLIT (COTTER)
44	324106800	1	PTO PIVOT LEVER
45	068109052	1	HYD TUBE
46	015140616	1	SCREW

3700 Power Unit CE Components



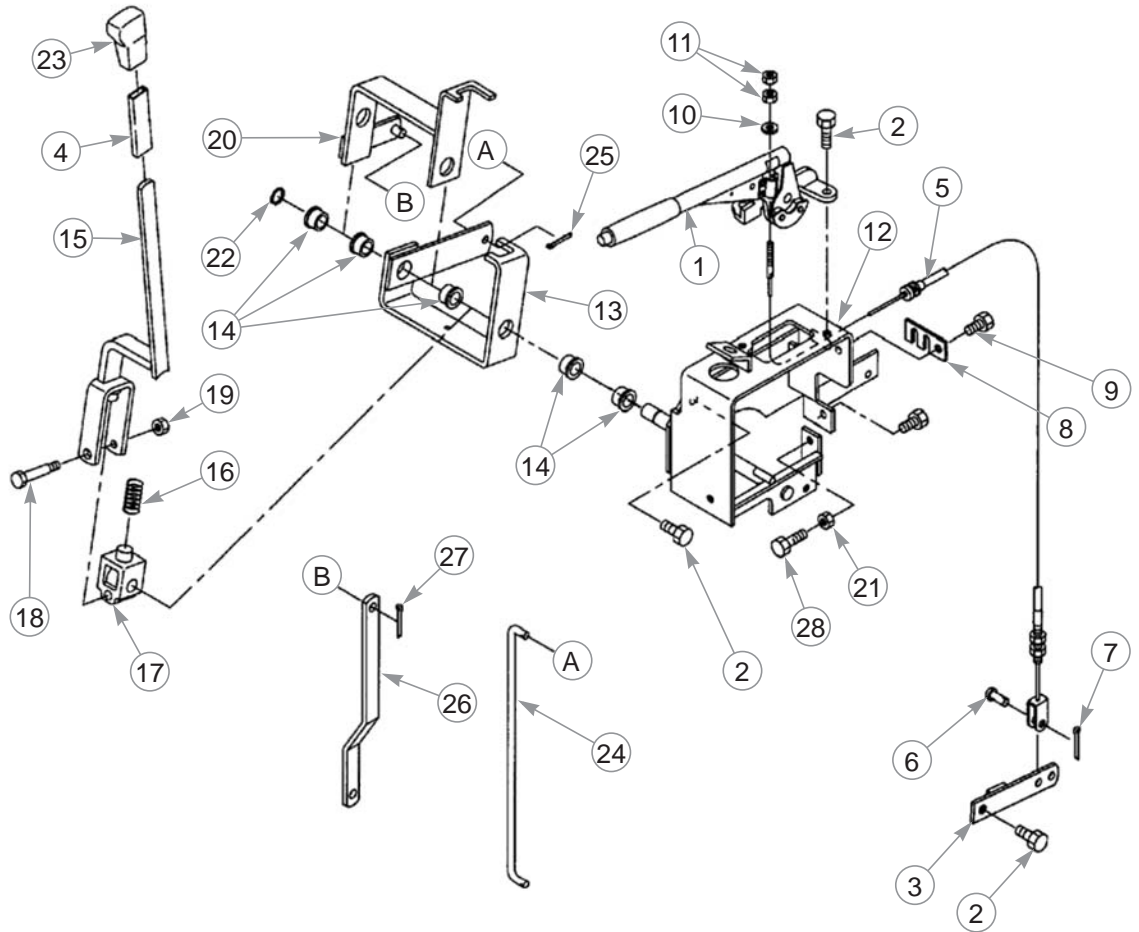
INDEX NO.	PART NO.	QTY.	DESCRIPTION
1	111444	1	THROTTLE STOP BRACKET
2	756270	1	CS .312-18 X1.50 FLTHR
3	034272	1	NT .312-18 HX G5 ZNYC
4	808485	1	5/16-18 RIVET NUT
5	776310	1	CE MARK DECAL
6	789776CE	1	CE 105 DBA LIMIT DECAL
7	602562	1	NO SERVICE DECAL

NOTES:

1. The throttle lever and hardware come with the power unit.

This page intentionally left blank.

Park Brake & Speed Range/4WD Levers

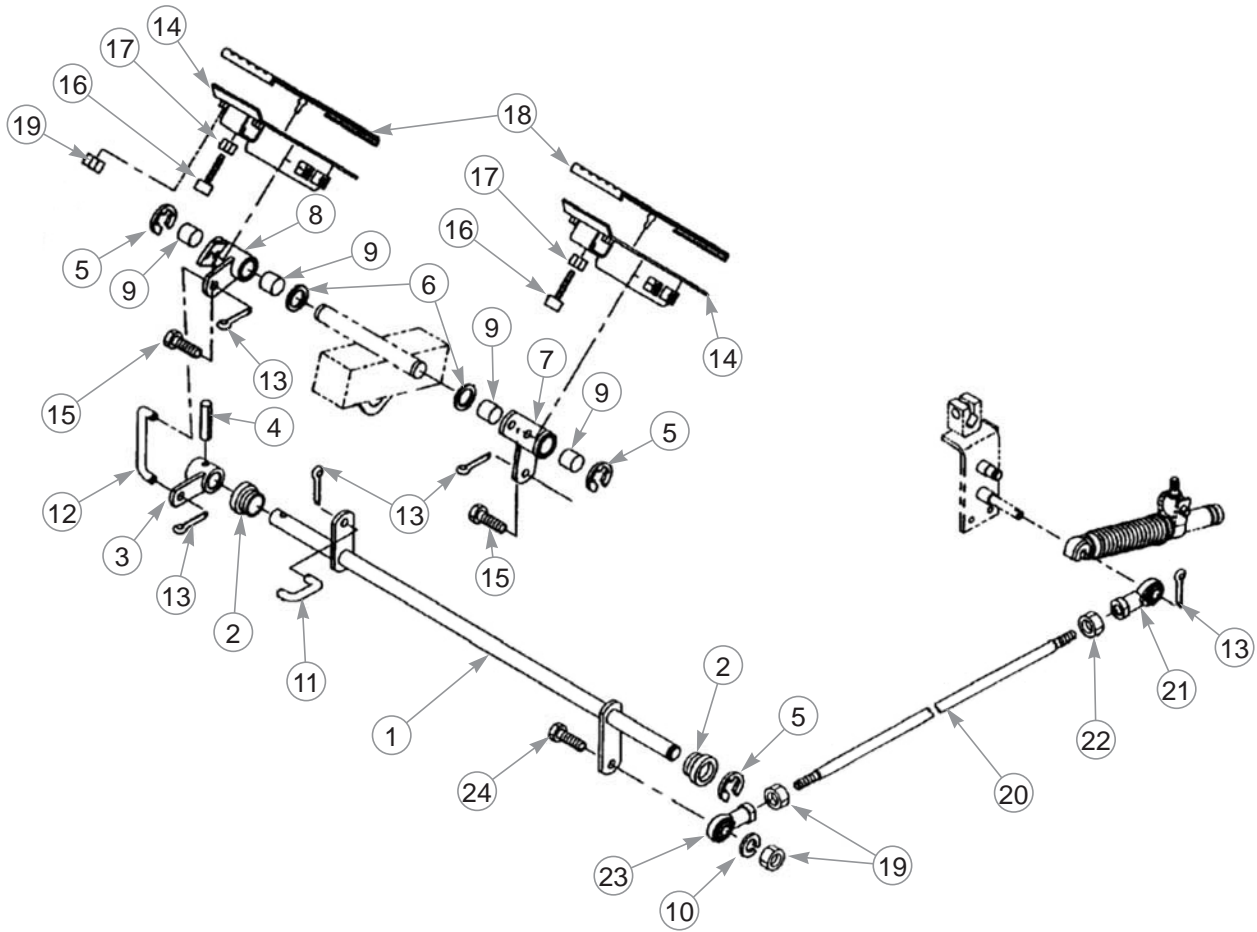


Park Brake & Speed Range/4WD Levers

INDEX NO.	PART NO.	QTY.	DESCRIPTION
1	328650191	1	PARK BRAKE HANDLE ASSEMBLY
2	011511020	7	M10 X 20 BOLT
3	328400670	2	PARK BRAKE LEVER (S/N 11090597 & HIGHER)
	328400560	2	PARK BRAKE LEVER (S/N PRIOR TO 11090597)
4	068109053	1	TUBE
5	312700662	2	PARK BRAKE CABLE
6	031310820	2	PIN
7	030102025	2	SPLIT (COTTER) PIN
8	312740230	1	BRAKE CABLE RETAINER
9	010800816	1	M8 X 16 BOLT
10	026100006	2	M6 X 12 X 1.6 WASHER
11	022400006	2	NUT
12	328320990	1	PARK BRAKE LEVER SUPPORT
13	324106670	1	LOWER RANGE LEVER PIVOT
14	398511320	5	2WD BUSHING
15	324106710	1	RANGE & FORWARD LEVER
16	398215500	1	SPRING
17	324121000	1	PTO CLUTCH STOP
18	399431070	1	BOLT
19	021500008	1	NUT
20	324106690	1	UPPER RANGE PIVOT LEVER
21	020900008	1	M8, CL 8 NUT
22	036800012	1	M15 EXTERNAL SNAP RING
23	398180890	1	RANGE LEVER HANDLE GRIP
24	324362080	1	FORWARD ROD
25	030102025	2	SPLIT (COTTER) PIN
26	324362090	1	RANGE GEAR ROD
27	030103225	2	SPLIT (COTTER) PIN
28	010310825	1	M8 X 25, 8.8 HEX BOLT

NOTES:

Hydrostatic Transmission Pedals

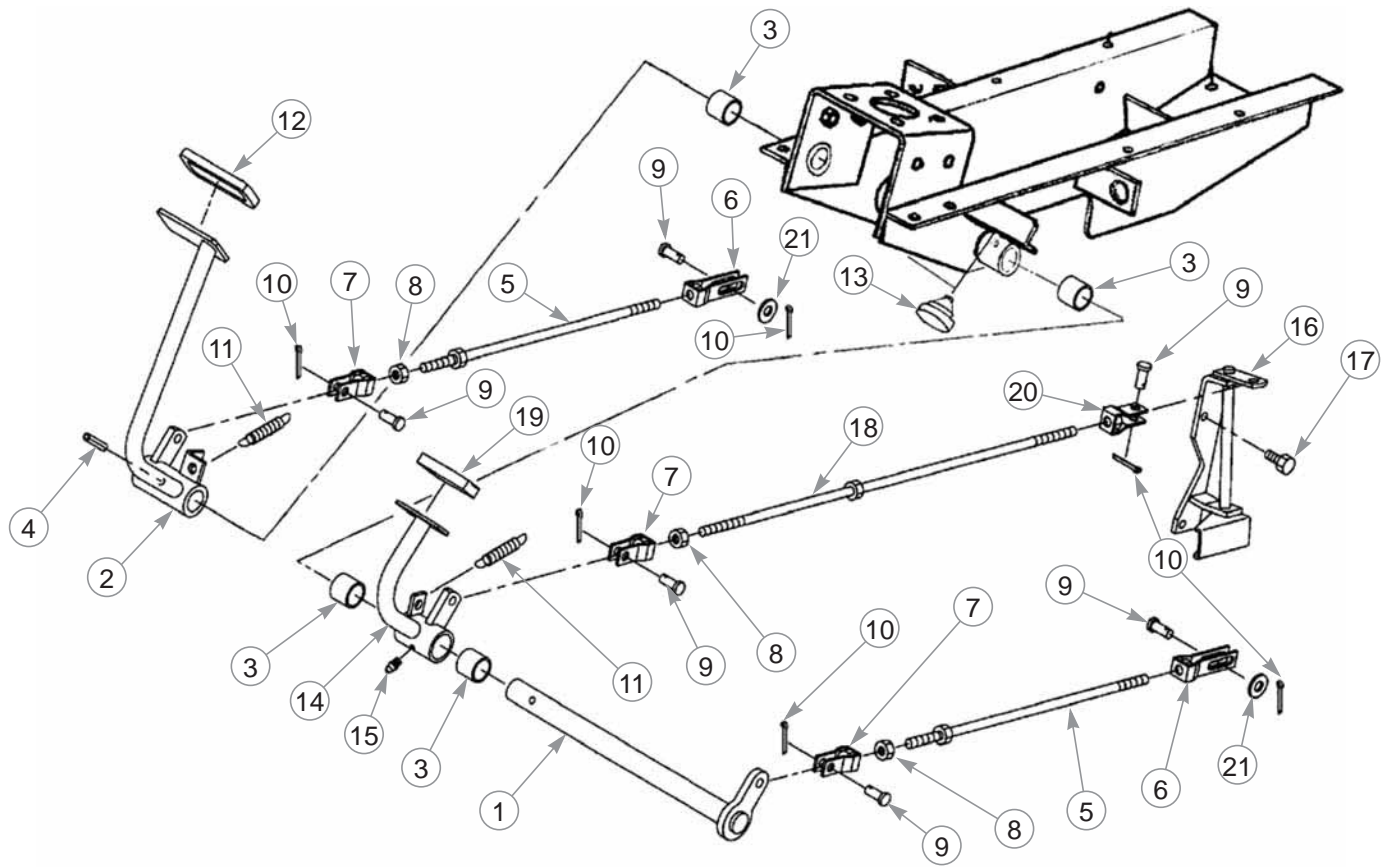


Hydrostatic Transmission Pedals

INDEX NO.	PART NO.	QTY.	DESCRIPTION
1	358200930	1	PEDAL PIVOT ROD
2	398511320	2	BUSHING
3	324106790	1	PEDAL PIVOT CRANK
4	030300625	1	PIN
5	036800012	3	SNAP RING
6	026100014	2	WASHER
7	324106770	1	OUTBOARD PEDAL PIVOT
8	324106780	1	INBOARD PEDAL PIVOT
9	398511310	4	DRIVE BUSHING
10	027100008	1	M8 LOCK WASHER
11	358511250	1	FORWARD LINKAGE ROD
12	358511230	1	REVERSE LINKAGE ROD
13	030102020	5	SPLIT (COTTER) PIN
14	358104780	2	PEDAL
15	010800816	4	M8 X 16 BOLT
16	398111640	2	PEDAL STOP
17	020900008	2	M8, CL 8 NUT
18	398117180	2	DIRECTIONAL PEDAL PAD
19	020900008	3	M8, CL 8 NUT
20	358511220	1	LINKAGE ROD
21	334800420	1	LS THREAD ROD END
22	020109125	1	LS THREAD NUT
23	334800360	1	ROD END
24	010310830	1	M8 X 30, 8.8 HEX BOLT

NOTES:

Brake Pedals



Brake Pedals

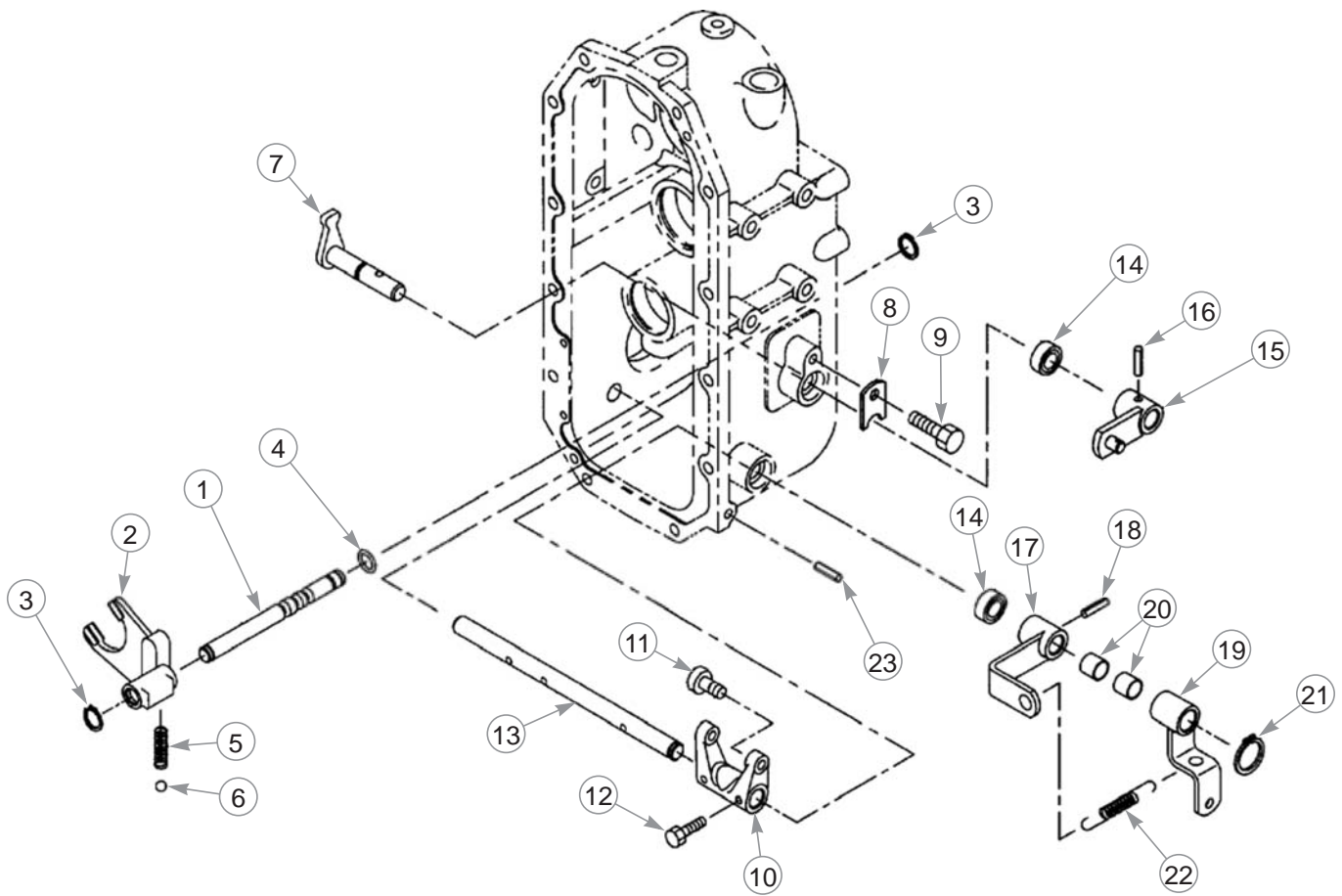
INDEX NO.	PART NO.	QTY.	DESCRIPTION
1	358200940	1	BRAKE PIVOT SHAFT
2	358104750	1	BRAKE PEDAL
3	398510070	6	BUSHING
4	030300840	1	ROLL PIN
5	358500261	2	BRAKE ADJUSTER ROD
6	358550190	2	REAR BRAKE ROD YOKE
7	358550010	3	FRONT BRAKE ROD YOKE
8	020900010	3	M10, CL 8 NUT
9	031311020	6	PIN
10	030103225	6	SPLIT (COTTER) PIN
11	398210290	2	SPRING
12	398117790	1	BRAKE PEDAL PAD
13	398110110	2	RUBBER BUMPER
14	358104770	1	DIFFERENTIAL LOCK PEDAL
15	060610000	1	M6 X .075 GREASE FITTING
16	326550210	1	DIFFERENTIAL LOCK LEVER
17	010800816	2	M8 X 16 BOLT
18	358511120	1	DIFFERENTIAL LOCK ROD
19	398113000	1	DIFFERENTIAL LOCK PAD
20	358550020	1	REAR DIFFERENTIAL LOCK YOKE
21	026100010	2	M10 X 20 X 2 WASHER

NOTES:

Section 5

Transmission Levers & Actuators	5-2
Transmission Front Gears & Bearings.	5-4
Transmission Rear Gears & Bearings	5-6
Clutch Assembly	5-8
Front Axle Differential	5-10
Parking Brake Cable Retention	5-12
Brake Assembly – S/N 11090597 & Higher.	5-13
Brake Assembly – S/N Prior to 11090597	5-14
Rear Axle & Drop Box (FWD)	5-18
Steering Cylinder	5-22

Transmission Levers & Actuators

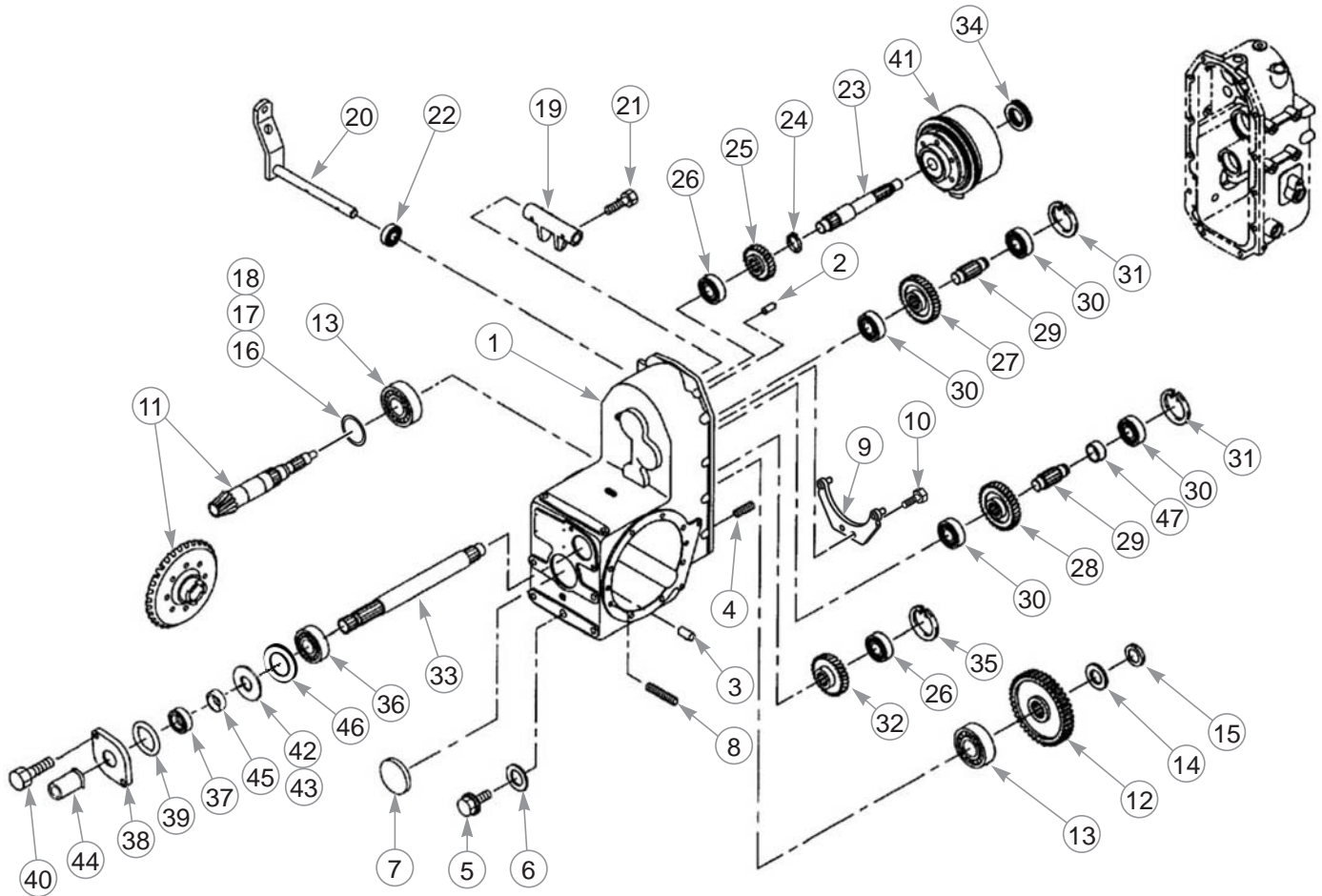


Transmission Levers & Actuators

INDEX NO.	PART NO.	QTY.	DESCRIPTION
1	324312960	1	SHIFT ROD
2	324412390	1	FORK SHIFT
3	036800010	2	SNAP RING
4	052100100	1	O-RING
5	398210280	1	SPRING
6	048100010	1	BALL
7	324202700	1	ARM
8	399564790	1	PLATE
9	011510812	1	M8 X 12 BOLT
10	324412290	1	2-WAY CLUTCH SHIFT FORK
11	399612150	2	PIN
12	010700625	2	M6 X 25 BOLT
13	320210370	1	SHAFT
14	050203115	2	SEAL
15	324106720	1	SHIFT LEVER
16	030300632	1	PIN
17	324106610	1	SHIFT LEVER
18	030300628	1	PIN
19	324106620	1	LEVER
20	398511310	1	DRIVE BUSHING
21	036100015	1	M15 EXT SNAP RING
22	398214450	1	SPRING
23	030300850	1	M8 X 50 SLOTTED LOCK PIN

NOTES:

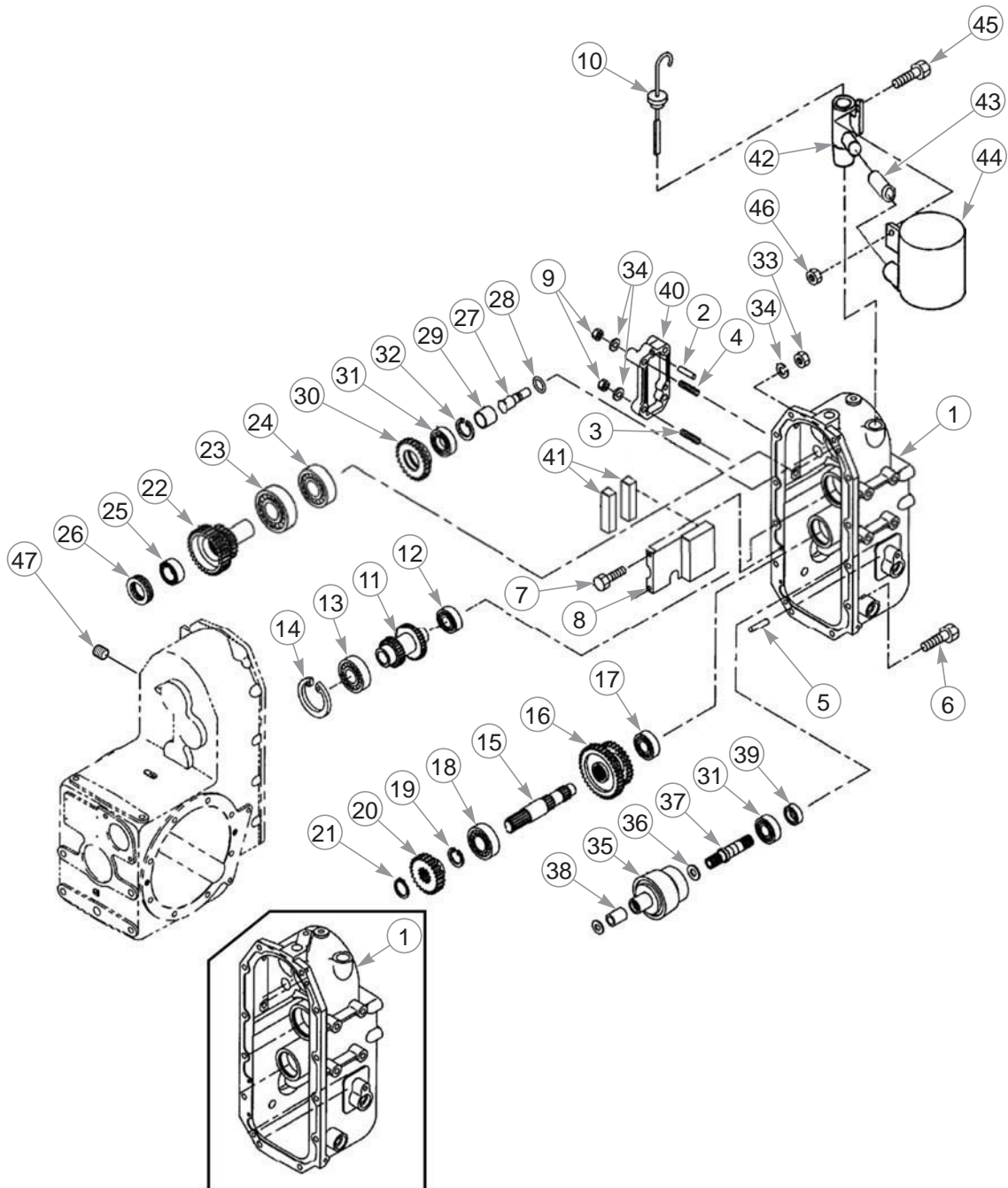
Transmission Front Gears & Bearings



Transmission Front Gears & Bearings

INDEX NO.	PART NO.	QTY.	DESCRIPTION
1	322119060	1	TRANSMISSION CASE
2	030500820	2	PIN
3	030501032	4	PIN
4	012111025	2	BOLT
5	064600016	1	PLUG
6	025100016	1	WASHER
7	322140270	1	COVER
8	012111040	2	M10 X 40 STUD SCREW
9	320120500	1	PLATE
10	011511025	2	M10 X 25 BOLT
11	322051500	1	SHAFT GEAR/DRIVE PINION ASSEMBLY
12	322325750	1	GEAR
13	042532206	2	BEARING ASSEMBLY
14	026100024	1	M24 X 34 X 4 WASHER
15	020109079	1	NUT
16	199280630	1	0.1T SHIM
17	199280640	1	0.2T SHIM
18	199280650	1	0.5T SHIM
19	320260200	1	2-WAY CLUTCH FORK
20	320201200	1	2-WAY CLUTCH SHAFT
21	010700625	2	M6 X 25 BOLT
22	050203115	1	SEAL
23	322514580	1	2-WAY CLUTCH DRIVE SHAFT
24	036100025	1	M25 EXT SNAP RING
25	322325760	1	GEAR
26	040106304	2	BALL BEARING
27	322327130	1	FIXING GEAR A
28	322327150	1	FIXING GEAR A
29	322531621	2	COUNTER SHAFT
30	040106204	4	BALL BEARING
31	036500047	1	M47 SNAP RING
32	322327140	1	FIXING GEAR A
33	322591110	1	PTO SHAFT (S/N 3022793 & HIGHER)
	322590820	1	PTO SHAFT (S/N PRIOR TO 13022793)
34	398566470	1	BEARING ASSEMBLY
35	036500052	1	2.062" SNAP RING
36	040106205	1	BALL BEARING
37	050209131	1	SEAL (S/N 13022793 & HIGHER)
	050201325	1	SEAL (S/N PRIOR TO 13022793)
38	322141991	1	PTO SHAFT COVER
39	052300600	1	O-RING
40	011510820	2	M8 X 1.25 X 20 BOLT
41	320040924	1	PTO CLUTCH ASSEMBLY
42	199280580	AR	0.2T SHIM
43	199280590	AR	0.5T SHIM
44	398115500	1	PTO CAP COVER
45	511380070	1	SLEEVE
46	399211670	1	SPACER
47	399233780	1	COLLAR

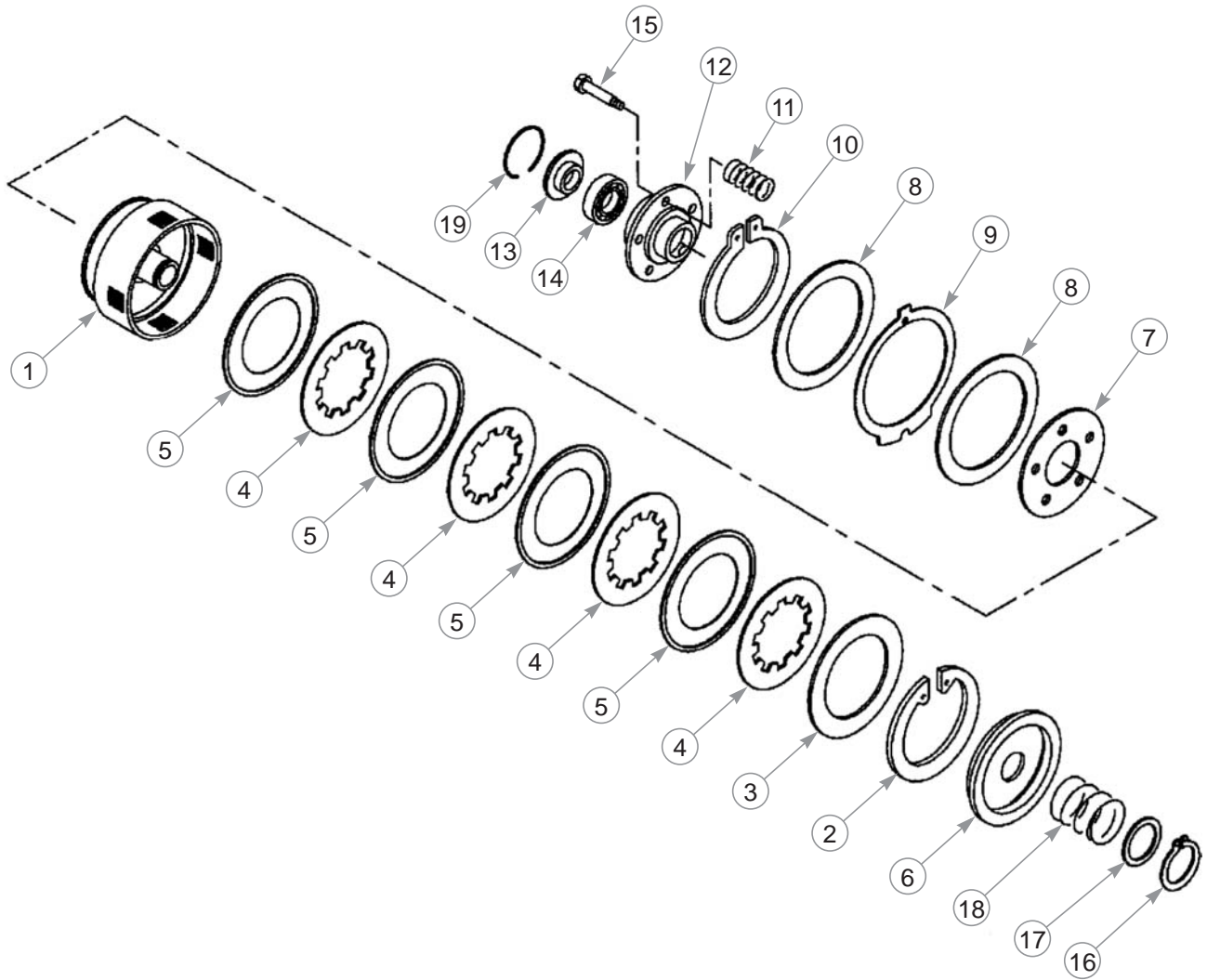
Transmission Rear Gears & Bearings



Transmission Rear Gears & Bearings

INDEX NO.	PART NO.	QTY.	DESCRIPTION
1	322119080	1	REAR TRANSMISSION CASE/COVER
2	030500820	2	PIN
3	012111035	2	STUD
4	012111050	2	STUD
5	030501025	1	PIN
6	011511030	10	M10 X 30 BOLT
7	011140610	2	M6 X 10 BOLT
8	399568660	1	SUPPORT PLATE
9	021000010	4	M10 NUT
10	398400550	1	TRANSMISSION DIPSTICK
11	322521520	1	MAIN SHAFT
12	040106006	1	BALL BEARING
13	040106207	1	BEARING ASSEMBLY
14	036500072	1	M72 INTSNAP RING
15	322531610	1	SHAFT
16	322361500	1	SLIDE GEAR B
17	040106204	1	BALL BEARING
18	040109054	1	BALL BEARING
19	036500052	1	2.062" SNAP RING
20	322325740	1	GEAR
21	036500052	1	M25 EXT SNAP RING
22	320720290	1	COUPLING
23	040106207	1	BALL BEARING
24	040106206	1	BALL BEARING
25	398566480	1	BEARING ASSEMBLY
26	398566470	1	BEARING ASSEMBLY
27	322531630	1	SHAFT
28	052100110	1	O-RING
29	399235520	1	COLLAR
30	322371980	1	GEAR
31	040106004	2	BEARING ASSEMBLY
32	036500042	1	M42 SNAP RING
33	020900014	2	M14 NUT
34	027100010	6	M10 LOCK WASHER
35	320080101	1	CLUTCH
36	399261320	1	THRUST WASHER (S/N 12042919 & HIGHER)
	399261500	1	THRUST WASHER (S/N PRIOR TO 12042919)
37	322514660	1	DRIVEN SHAFT (S/N 12042919 & HIGHER)
	322513460	1	DRIVEN SHAFT (S/N PRIOR TO 12042919)
38	398511930	1	BUSHING
39	050202220	1	SEAL
40	322213450	1	COVER
41	324910090	2	MAGNET
42	340615881	1	ADAPTER
43	340692490	1	HOSE
44	360102060	1	OVERFLOW TANK
45	010800616	1	M6 X 16 BOLT
46	021300006	1	M6 X 1 NUT
47	064400030	1	PLUG

Clutch Assembly

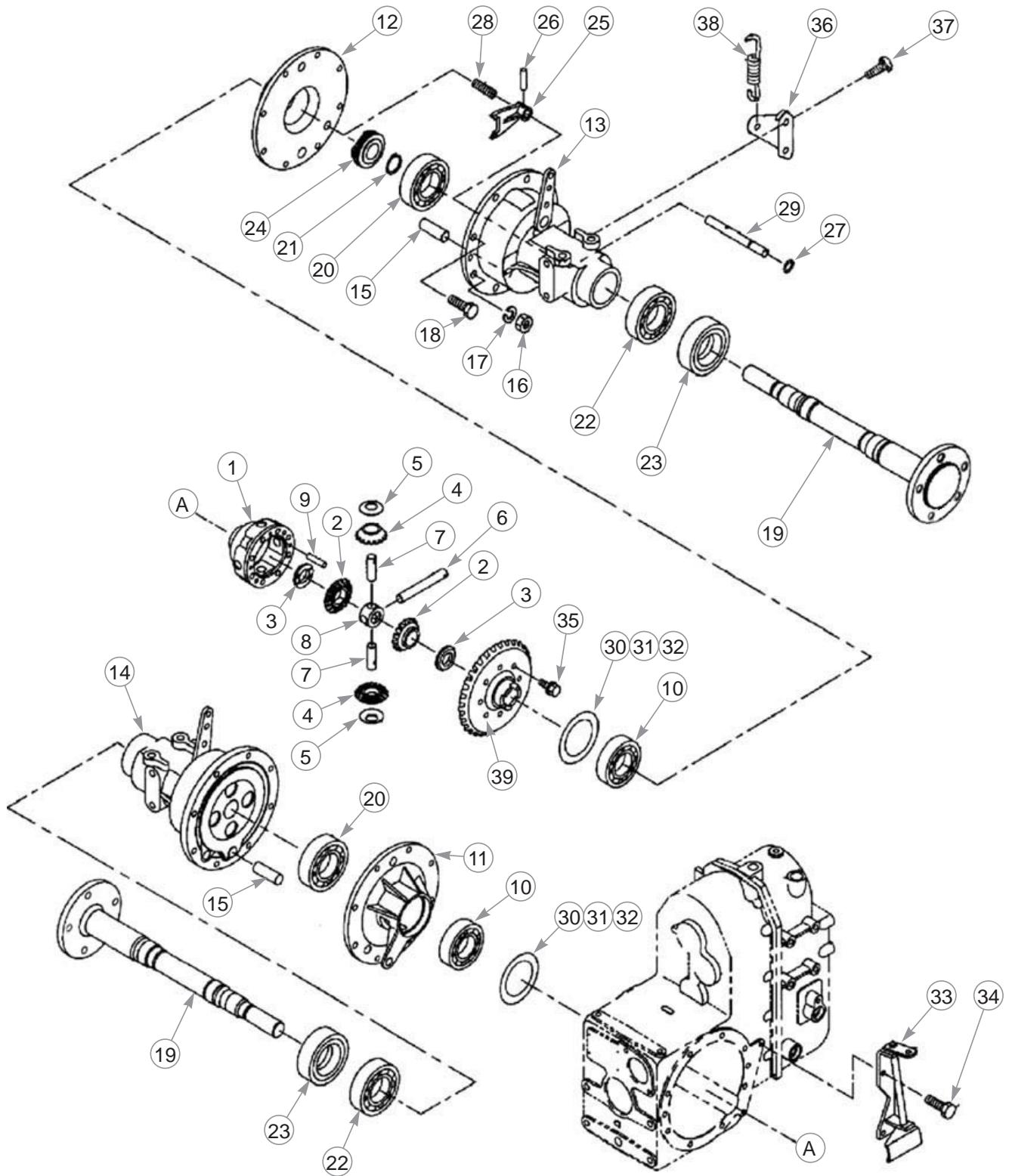


Clutch Assembly

INDEX NO.	PART NO.	QTY.	DESCRIPTION
1	320040924	1	PTO CLUTCH ASSEMBLY
2	N/A	1	SNAP RING, NOT SERVICED SEPARATELY
3	320690106	1	BACK PLATE
4	320690130	4	DISC PLATE
5	320690108	4	SEPARATOR PLATE
6	N/A	1	METAL PRESSURE PLATE, NOT SERVICED SEPARATELY
7	N/A	1	BACK PLATE, NOT SERVICED SEPARATELY
8	320690154	1	CLUTCH DISC
9	320690149	1	DISC
10	320690153	1	BACK PLATE
11	N/A	1	CLUTCH SPRING, NOT SERVICED SEPARATELY
12	N/A	1	CLUTCH LIFTER, NOT SERVICED SEPARATELY
13	N/A	1	SPRING HOLDER, NOT SERVICED SEPARATELY
14	398560730	1	THRUST BEARING ASSEMBLY
15	N/A	1	BOLT, NOT SERVICED SEPARATELY
16	036100030	1	M30 EXT SNAP RING
17	320690111	1	SPRING
18	320690112	1	SPRING
19	N/A	1	SNAP RING, NOT SERVICED SEPARATELY

NOTES:

Front Axle Differential

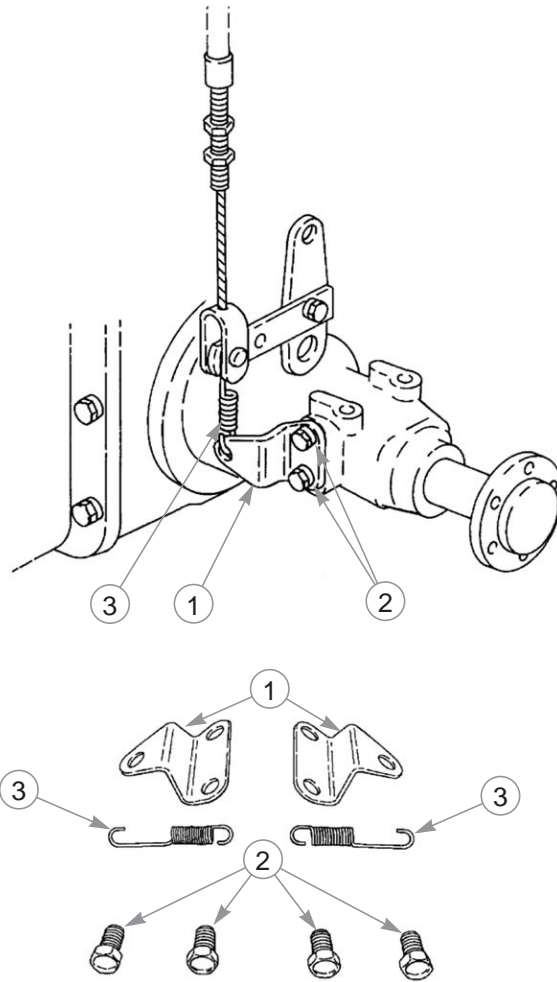


Front Axle Differential

INDEX NO.	PART NO.	QTY.	DESCRIPTION
1	326110593	1	PINION HOUSING
2	326140030	2	GEAR
3	399261260	2	THRUST WASHER
4	326160030	2	DRIVE PINION
5	399260130	2	THRUST WASHER
6	326130472	1	SHAFT
7	326130343	2	SHAFT
8	326170060	1	UNIVERSAL JOINT
9	030500625	3	COTTER PIN
10	040106010	2	BALL BEARING
11	326220530	1	LEFT BEARING SUPPORT (S/N 11090597 & HIGHER)
	326220420	1	LEFT BEARING SUPPORT (S/N PRIOR TO 11090597)
12	326220540	1	RIGHT BEARING SUPPORT (S/N 11090597 & HIGHER)
	326220430	1	RIGHT BEARING SUPPORT (S/N PRIOR TO 11090597)
13	N/A	1	NOT SERVICED SEPARATELY
14	N/A	1	NOT SERVICED SEPARATELY
15	328260190	2	PIN (S/N 11090597 & HIGHER)
	328260170	2	PIN (S/N PRIOR TO 11090597)
16	021010010	4	M10 X 1.25 NUT
17	027100010	4	M10 LOCK WASHER
18	011511040	12	M10 X 40 BOLT
19	326302050	2	SAE WHEEL SHAFT
20	040106008	2	BALL BEARING (S/N 11090597 & HIGHER)
	040106208	2	BALL BEARING (S/N PRIOR TO 11090597)
21	036100040	2	M40 EXT SNAP RING
22	040106008	2	BEARING ASSEMBLY
23	050609047	2	OIL SEAL
24	326610181	1	CLUTCH
25	326570400	1	FORK
26	030300628	1	PIN
27	052100110	1	O-RING
28	498211470	1	SPRING
29	326530330	1	SHAFT
30	199280770	1	SHIM .5MM OR 0.020"
31	199280760	1	SHIM .2MM OR 0.008"
32	199280750	1	SHIM
33	326550210	1	DIFF LOCK LEVER
34	010800816	2	M8 X 16 BOLT
35	010111030	8	M10 X 30 8.8 FULL THD HEX BOLT
36	328360440	2	RETURN SPRING BRACKET
37	011511220	4	M12 X 20 BOLT
38	398214540	2	SPRING (S/N 11090597 & HIGHER)
	398214590	2	SPRING (S/N PRIOR TO 11090597)
39	399310330	4	LOCK WASHER

NOTES:

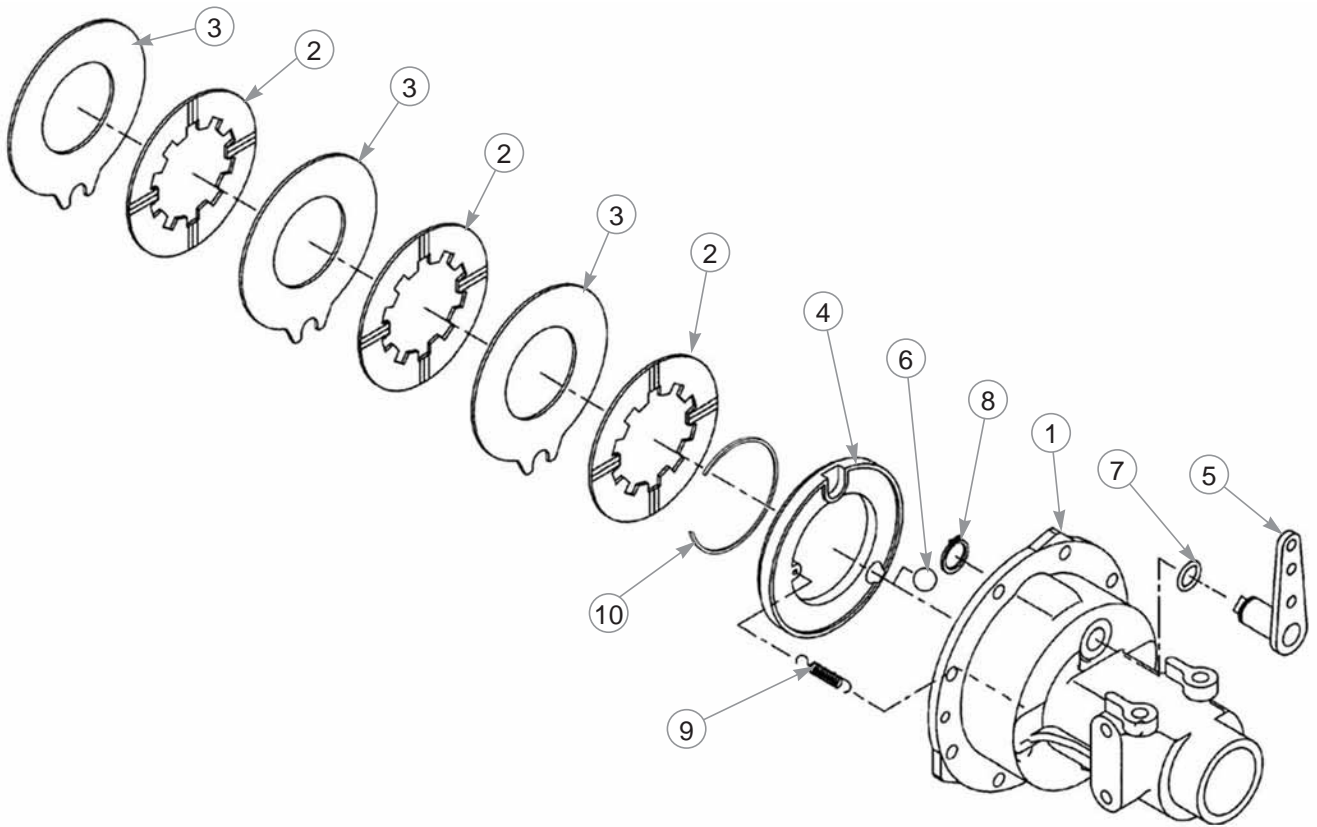
Parking Brake Cable Retention



INDEX NO.	PART NO.	QTY.	DESCRIPTION
1	328360440	2	RETURN SPRING BRACKET
2	011511220	4	M12 X 20 BOLT
3	398214590	2	SPRING

NOTES:

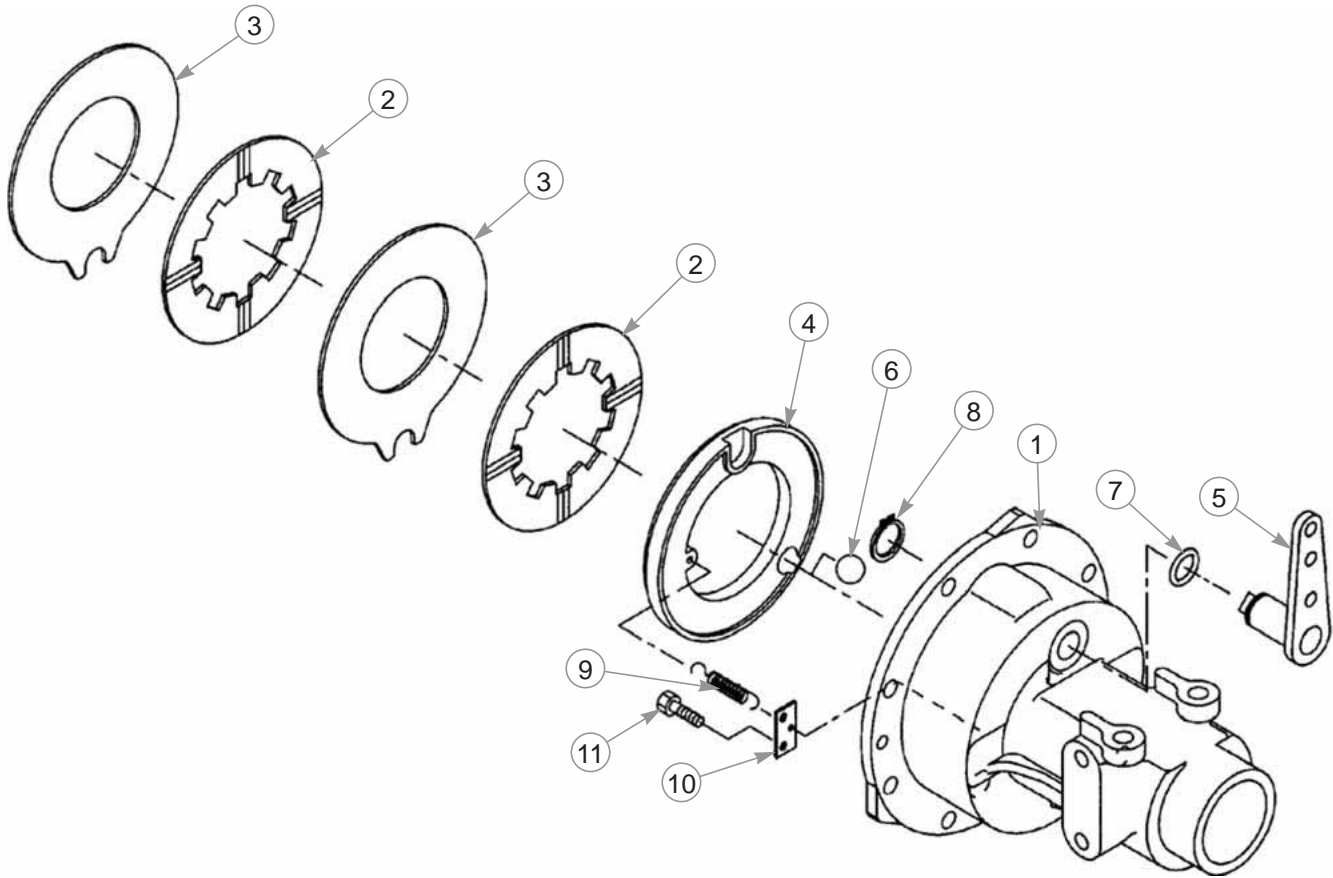
Brake Assembly – S/N 11090597 & Higher



INDEX NO.	PART NO.	QTY.	DESCRIPTION
1	326345550	1	WHEEL SHAFT CASE L
	326345570	1	WHEEL SHAFT CASE R
2	328110250	3	BRAKE DISC
3	328560450	3	BRAKE STATIONARY DISC
4	328560440	1	RS BRAKE DISC
	328560430	1	LS BRAKE DISC
5	328300660	1	RIGHT DISC CAM LEVER
	328300650	1	LEFT DISC CAM LEVER
6	048109041	4	BALL
7	052100210	1	O-RING
8	036100025	1	M25 EXT SNAP RING
9	398215650	2	SPRING
10	398340610	1	RING

NOTES:

Brake Assembly – S/N Prior to 11090597

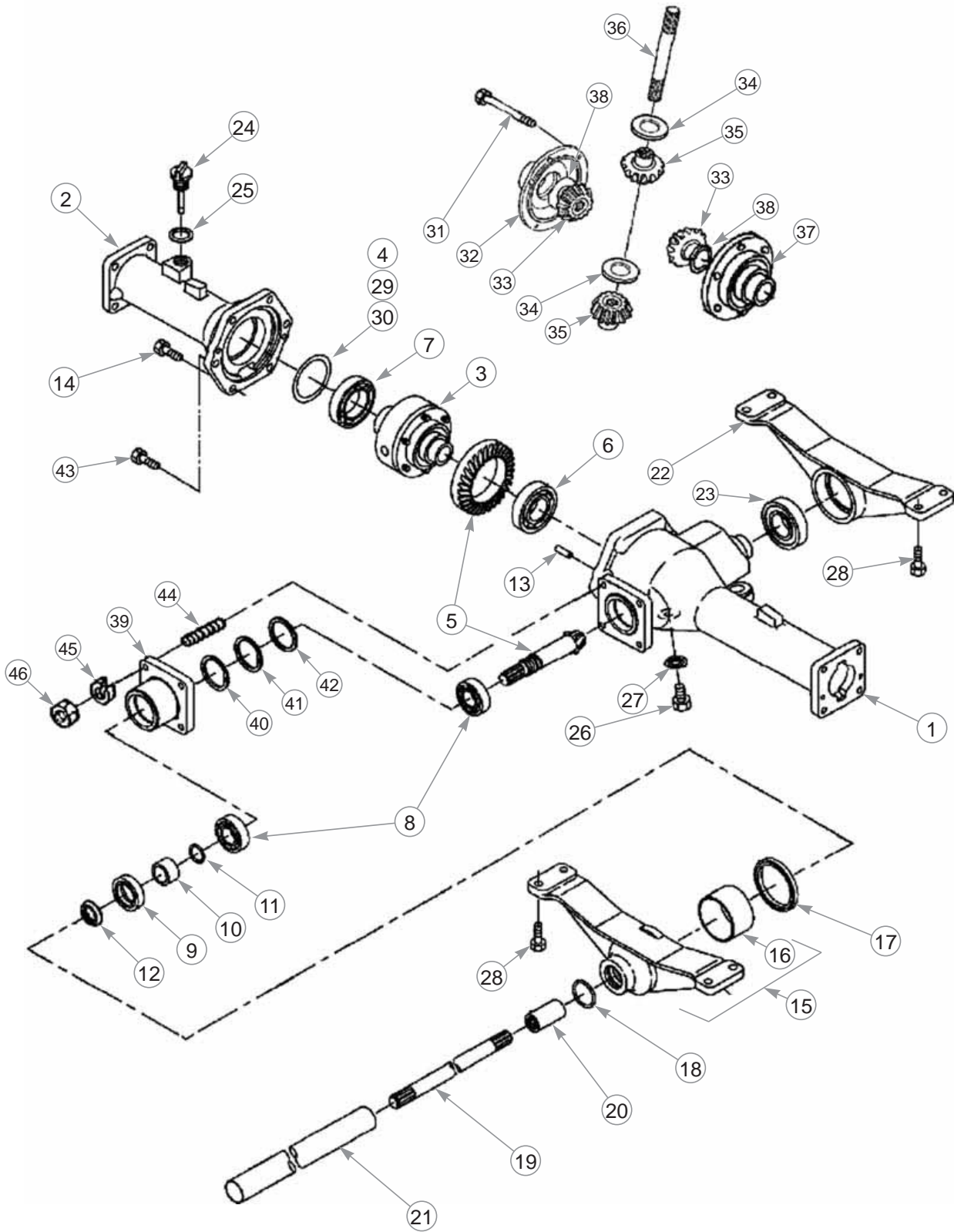


INDEX NO.	PART NO.	QTY.	DESCRIPTION
1	326344970	1	WHEEL SHAFT CASE
2	328110220	2	BRAKE DISC
3	328560190	2	BRAKE STATIONARY DISC
4	328560410	1	RS BRAKE DISC
	328560400	1	LS BRAKE DISC
5	328300580	1	RIGHT DISC CAM LEVER
	328300570	1	LEFT DISC CAM LEVER
6	048109004	4	BALL
7	052100210	1	O-RING
8	036100025	1	M25 EXT SNAP RING
9	398213340	2	SPRING
10	328490045	2	PLATE
11	011140612	4	M6 X 12 BOLT

NOTES:

This page intentionally left blank.

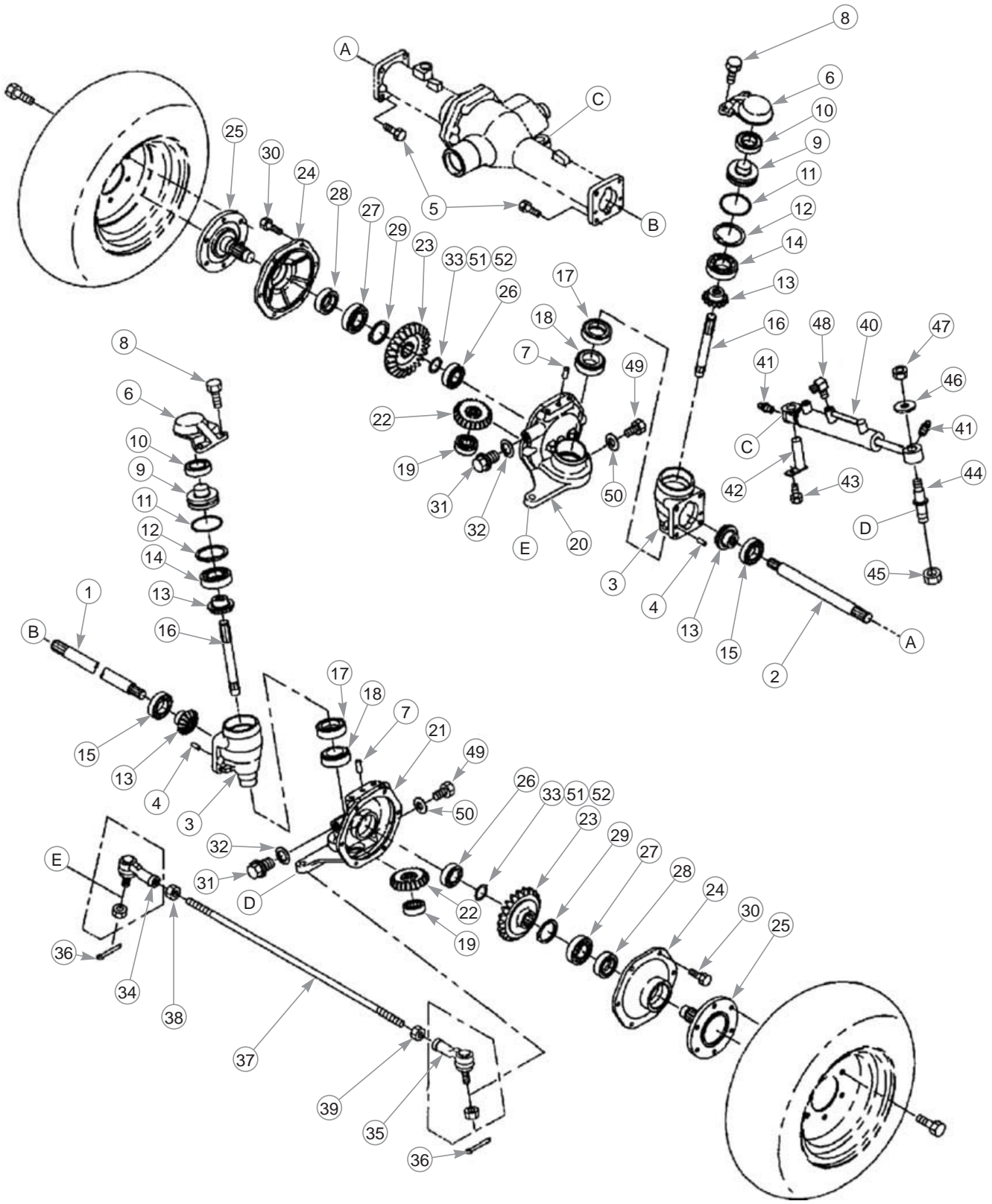
Rear Axle



Rear Axle

INDEX NO.	PART NO.	QTY.	DESCRIPTION
1	326345230	1	CASE
2	326345250	1	CASE
3	326010410	1	DIFFERENTIAL (INCLUDES ITEMS 34-41)
4	199280720	1	SHIM
5	322051270	1	PINION DRIVE ASSEMBLY
6	040106207	1	BEARING ASSEMBLY
7	040106009	1	BALL BEARING
8	042530205	2	BEARING ASSEMBLY
9	050202332	1	SEAL
10	399232470	1	COLLAR
11	052100210	1	O-RING
12	399370740	1	NUT
13	030500820	2	PIN
14	011511030	6	M10 X 30 BOLT
15	322017760	1	BEARING HOUSING (INCLUDES ITEM 16)
16	398510350	1	RING
17	050301165	1	SEAL
18	052100210	1	O-RING
19	322513660	1	DRIVE SHAFT
20	322610140	2	COUPLING
21	320171630	1	RIGID TUBE
22	322262850	1	HOLDER
23	040116207	1	BEARING ASSEMBLY
24	398400430	1	DIPSTICK
25	025100020	1	WASHER
26	010411212	3	M12 X 12 BOLT
27	025100012	3	WASHER
28	011511030	8	M10 X 30 BOLT
29	199280740	1	SHIM, 0.5
30	199280730	1	SHIM, 0.2
31	010700855	6	M8 X 55 BOLT
32	326110880	1	DIFFERENTIAL HOUSING
33	326140211	2	GEAR
34	399261070	2	THRUST WASHER
35	326160060	2	PINION, DRIVE GEAR
36	326130530	1	REAR DIFFERENTIAL PINION SHAFT
37	326111090	1	DIFFERENTIAL GAUGE COVER
38	399261080	2	THRUST WASHER
39	322263130	1	BEARING HOUSING
40	199280560	AR	SHIM, 0.1T
41	199280580	AR	SHIM 0.2T, PTO
42	199280590	AR	SHIM 0.5T, PTO
43	011511050	1	M10 X 50 BOLT
44	012111020	4	M10 X 20 BOLT
45	027100010	4	M10 LOCK WASHER
46	021010010	4	M10 NUT

Rear Axle & Drop Box (FWD)



Rear Axle & Drop Box (FWD)

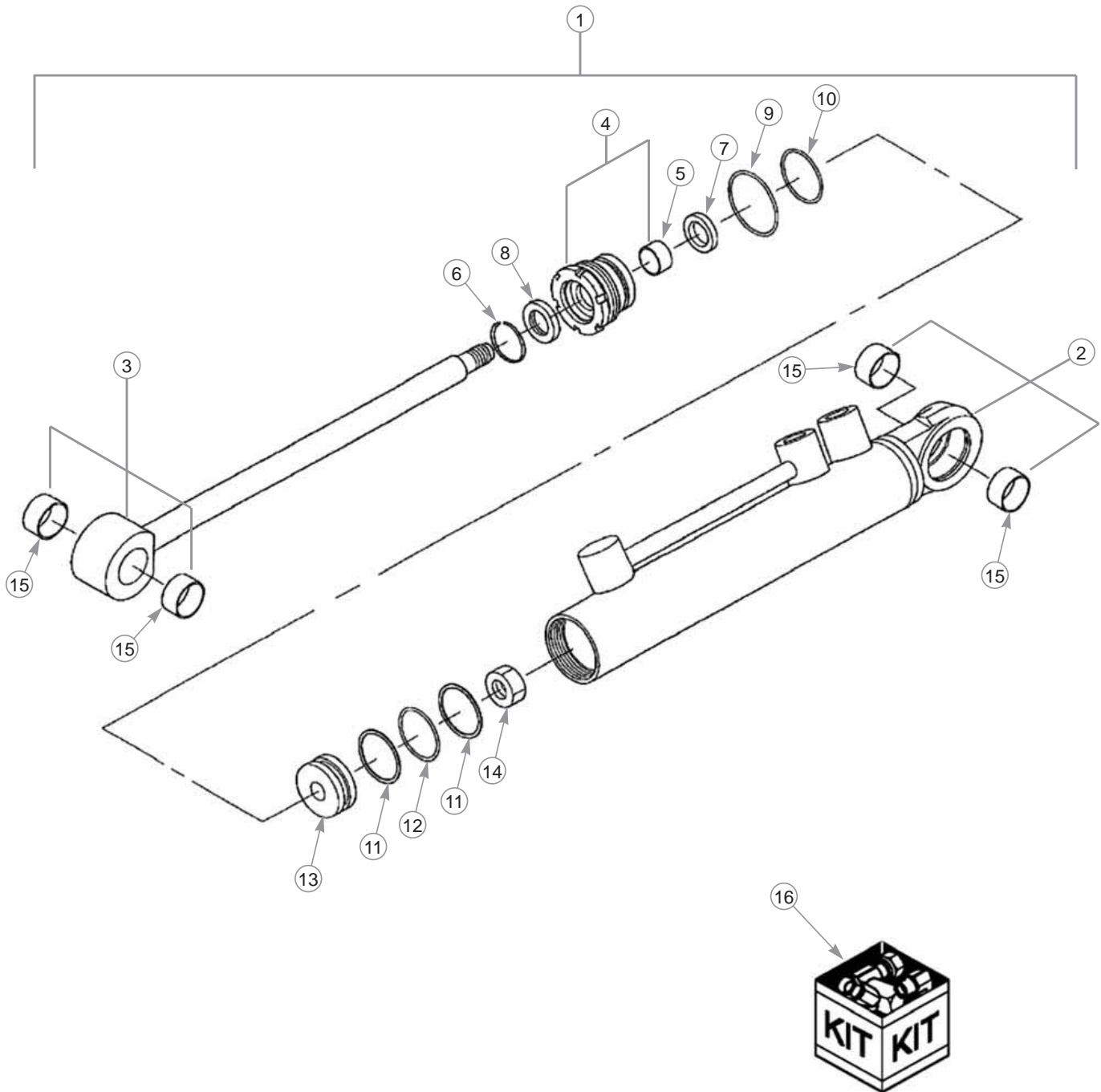
INDEX NO.	PART NO.	QTY.	DESCRIPTION
1	326211660	1	LS (16.44" LONG)
2	326211670	1	RS (11.37" LONG)
3	322117431	2	REAR AXLE CASING
4	030500820	4	PIN
5	011511030	10	M10 X 30 BOLT
6	334525090	2	TOP CAP
7	030501025	2	PIN
8	011511025	4	M10 X 25 BOLT
9	330311370	2	PIN
10	040146006	2	BALL BEARING
11	052300600	2	O-RING
12	036500065	2	SNAP RING
13	326240600	4	GEAR
14	040109034	2	BEARING ASSEMBLY
15	040109065	2	BALL BEARING
16	322513491	2	162MM DRIVEN SHAFT
17	399030030	2	SEALS KIT
18	042532007	2	TAPER ROLLER BEARING ASSEMBLY
19	040106303	2	BALL BEARING
20	322117451	1	LEFT CASING
21	322117471	1	RIGHT CASING
22	326240690	2	FINAL PINION GEAR
23	326370840	2	FINAL GEAR
24	322213490	2	HOUSING HUB
25	326312401	2	T BOLT HUB
26	040106205	2	BALL BEARING
27	040106206	2	BEARING ASSEMBLY
28	399030010	2	SEAL
29	036100030	2	M30 EXT SNAP RING
30	011510820	12	M8 X 1.25 X 20 BOLT
31	064600016	2	PLUG
32	025100016	2	WASHER
33	199280560	2	SHIM, 0.1T
34	334801360	1	RS TRACK ROD END ASSEMBLY
35	334801390	1	LS TRACK ROD END ASSEMBLY
36	030103225	2	SPLIT PIN (COTTER)
37	334712030	1	REAR STEERING ROD
38	020800014	1	NUT
39	020109029	1	NUT
40	344952381	1	STEERING CYLINDER
41	060620000	2	GREASE FITTING
42	399600110	1	PIN
43	010800816	1	M8 X 16, 8.8 HEX FLG BOLT
44	399612071	1	PIN
45	022509001	1	M20 X 1.5 NUT
46	399210710	1	WASHER
47	022409003	1	NUT
48	340670280	2	ADAPTER
49	010411212	3	M12 X 12 BOLT

INDEX NO.	PART NO.	QTY.	DESCRIPTION
50	025100012	3	WASHER
51	199280590	1	SHIM 0.5T, PTO
52	199280580	1	SHIM 0.2T, PTO
53	344960440	1	(NOT SHOWN) SEAL KIT FOR 344952381

NOTES:

This page intentionally left blank.

Steering Cylinder



Steering Cylinder

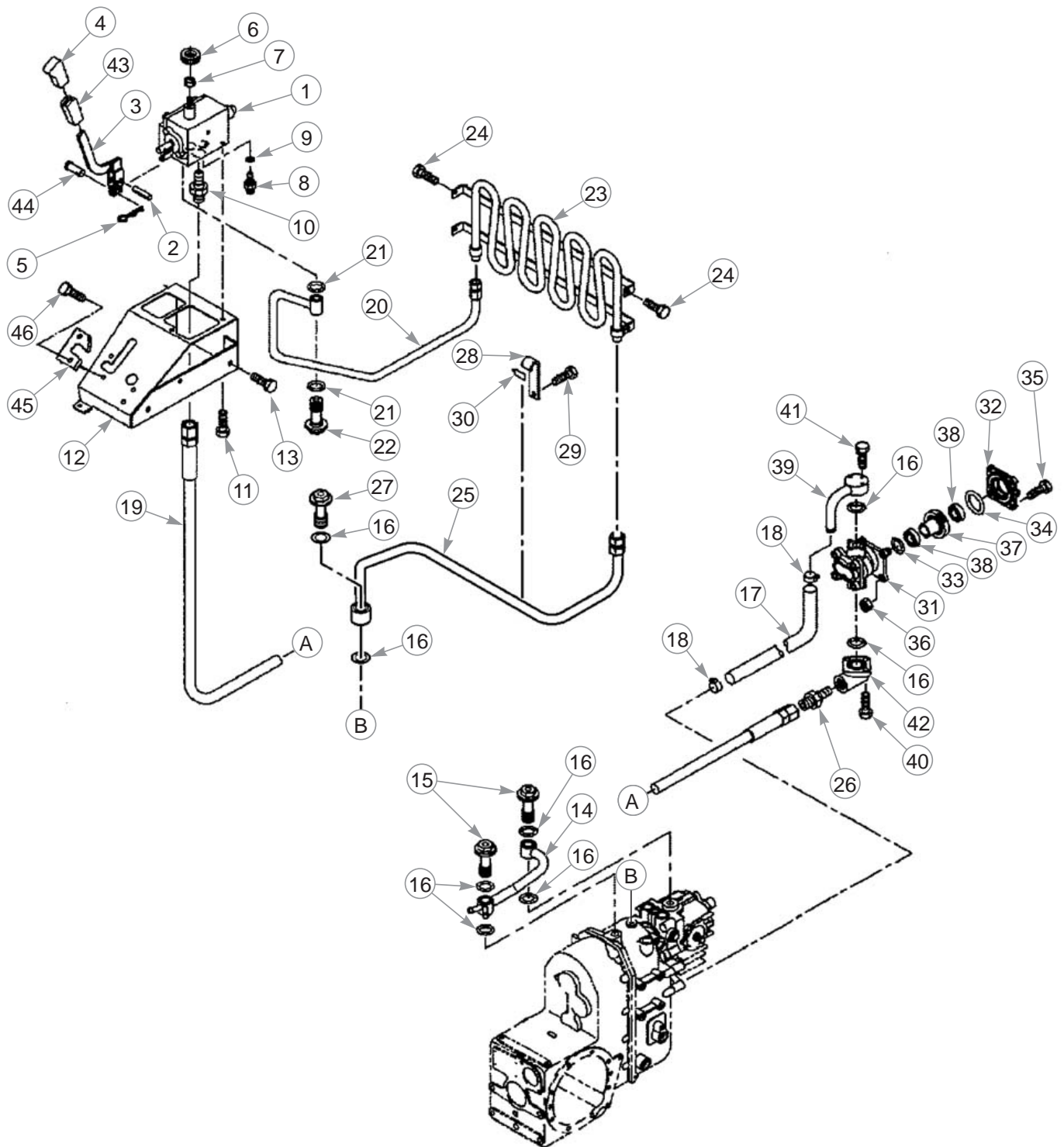
INDEX NO.	PART NO.	QTY.	DESCRIPTION
1	344952381	1	STEERING CYLINDER
2	N/A	1	CYLINDER TUBE, NOT SERVICED SEPARATELY
3	N/A	1	PISTON ROD KIT, NOT SERVICED SEPARATELY
4	344960452	1	HYDRAULIC CYLINDER GUIDE KIT
5	344960429	4	STEERING CYLINDER BUSHING
6	344960437	1	SNAP RING
7	N/A	1	ROD PACKING, NOT SERVICED SEPARATELY
8	N/A	1	DUST SEAL, NOT SERVICED SEPARATELY
9	052400380	1	O-RING
10	052310300	1	BACKUP RING
11	N/A	2	BACKUP RING, NOT SERVICED SEPARATELY
12	052110290	1	O-RING
13	N/A	1	PISTON, NOT SERVICED SEPARATELY
14	020910012	1	M12 NUT
15	344960432	4	STEERING CYLINDER BUSHING
16	344960440	1	SEAL KIT FOR 344952381 (INCLUDES ITEMS 7-12)

NOTES:

Section 6

Control Valve & Hydraulic Pump	6-2
Control Valve	6-4
Hydraulics Filters	6-6
Hydrostatic Drive Coupling	6-8
HST Assembly	6-10
Hydraulic Pump	6-13
Steering Case Hydraulics	6-14

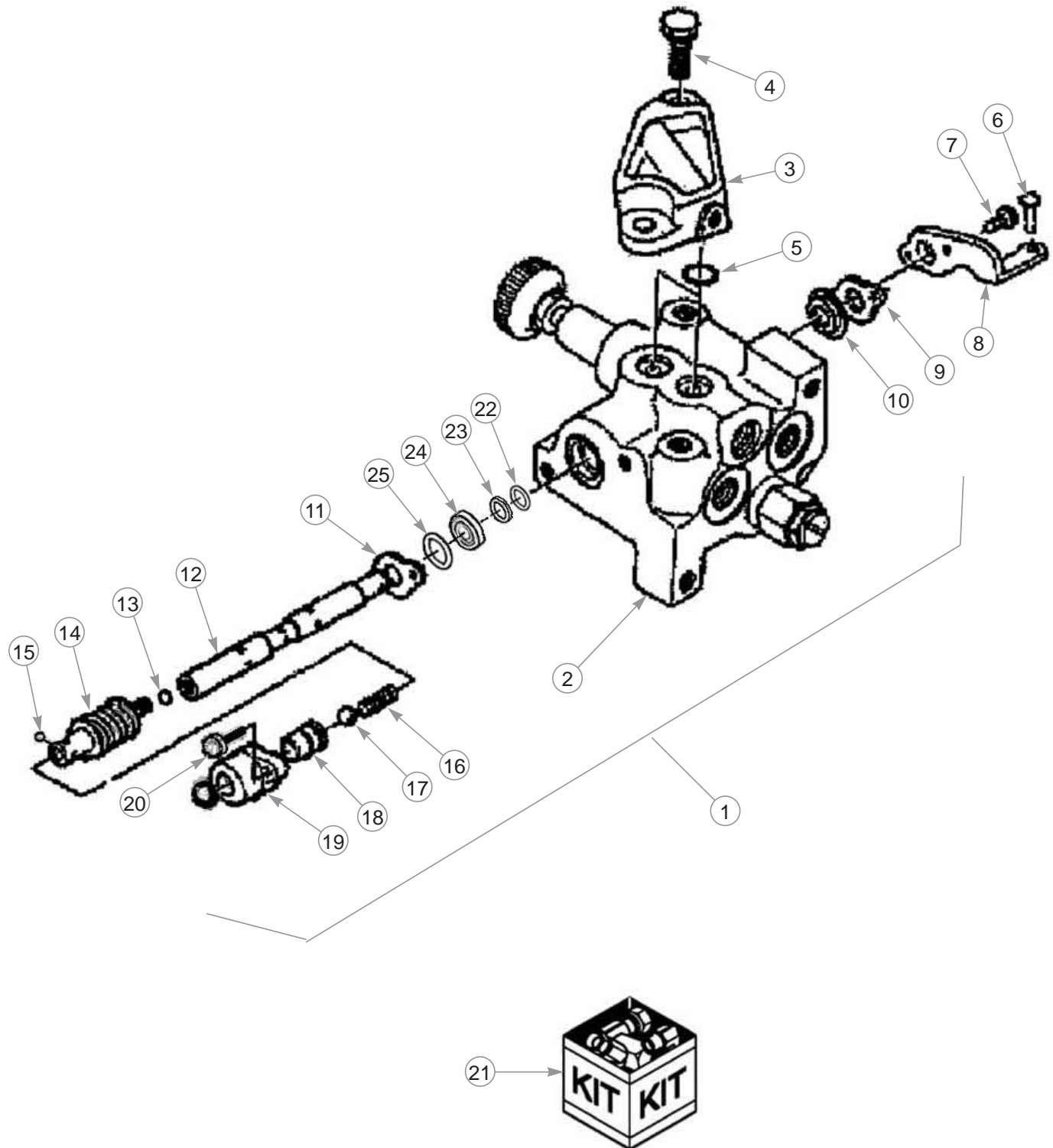
Control Valve & Hydraulic Pump



Control Valve & Hydraulic Pump

INDEX NO.	PART NO.	QTY.	DESCRIPTION
1	340016721	1	CONTROL VALVE
2	030300528	1	PIN
3	340106520	1	CONTROL VALVE LEVER
4	398180610	1	CONTROL VALVE HANDLE GRIP
5	031100004	1	PIN
6	398180332	1	HANDLE GRIP
7	020700010	2	M10 CL 8 NUT
8	340671730	1	1/4" ADAPTER
9	052100110	1	O-RING
10	340671810	1	ADAPTER, 3/8"
11	011510812	2	M8 X 12 BOLT
12	340750301	1	CONTROL VALVE COVER
13	011511020	2	M10 X 20 BOLT
14	340708040	1	HYDRAULIC PIPE
15	398481040	2	BOLT
16	052100200	8	O-RING
17	340692010	1	HOSE
18	398750420	2	HOSE CLAMP
19	340693571	1	OIL HOSE
20	340708050	1	PIPE, HYD
21	052100150	2	O-RING
22	398481300	1	BOLT
23	340708060	1	COOLER PIPE
24	010800816	4	M8 X 16, 8.8 HEX FLG BOLT
25	340550870	1	OIL PIPE
26	398480320	1	HYDRAULIC CONNECTOR
27	398480240	1	3/8" EYE BOLT
28	399113240	1	CLAMP
29	011511016	1	M10 X 16 BOLT
30	398113310	1	RUBBER PAD
31	340451030	1	AUX HYDRAULIC PUMP
32	322262800	1	AUX PUMP COVER
33	052300600	1	O-RING
34	052300700	1	O-RING
35	010310870	4	M8 X 70, 8.8 HEX BOLT
36	021500008	4	NUT
37	340460180	1	GEAR, AUX PUMP
38	040106004	2	BEARING ASSEMBLY
39	340707970	1	HYDRAULIC PIPE
40	010700620	3	M6 X 20 BOLT
41	010810630	3	M6 X 30 BOLT
42	340621880	1	AUX PUMP FLANGE
43	068109053	1	TUBE
44	340292120	1	PIN
45	399570110	1	PLATE
46	010800816	2	M8 X 16 BOLT

Control Valve

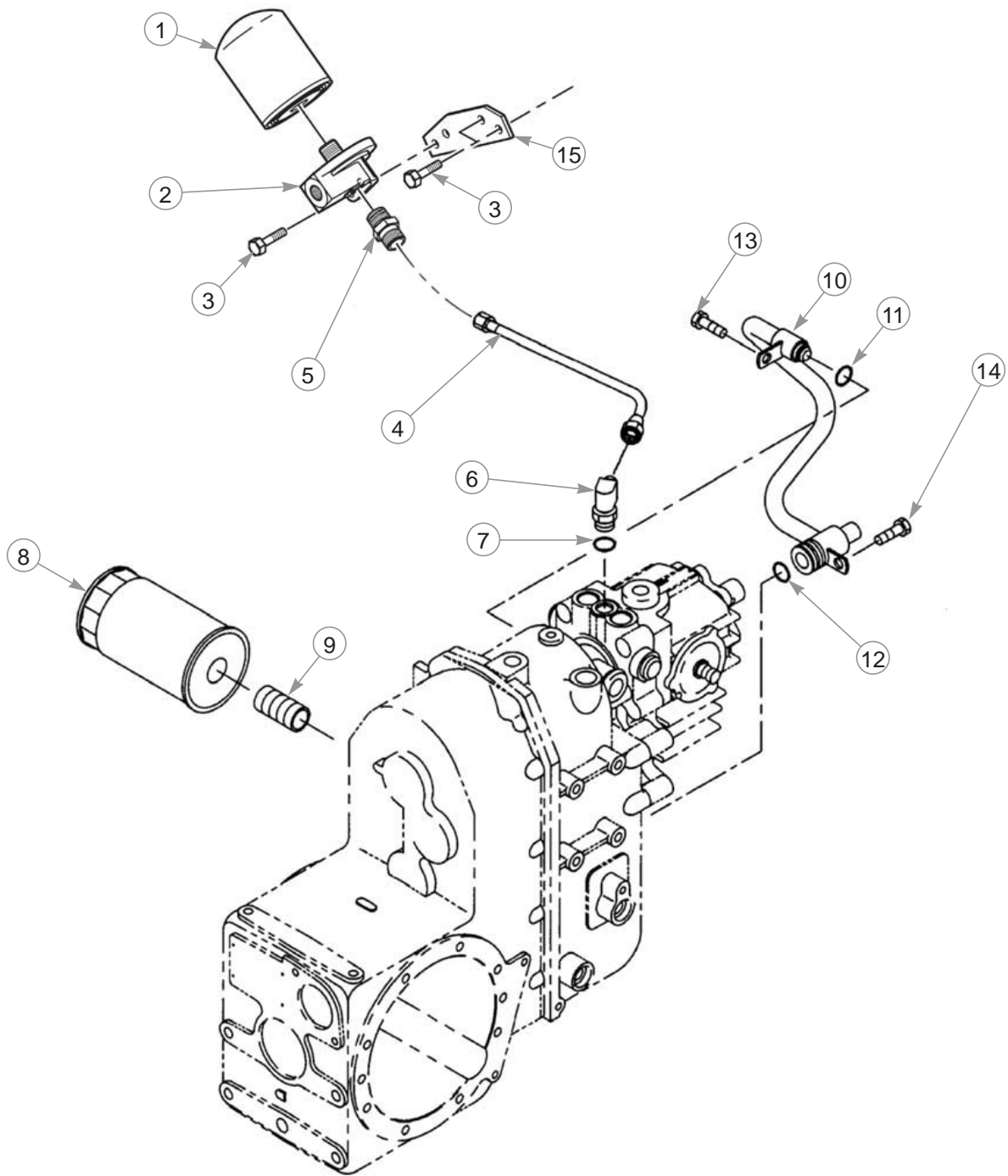


Control Valve

INDEX NO.	PART NO.	QTY.	DESCRIPTION
1	340016721	1	CONTROL VALVE (INCLUDES ITEMS 2-21)
2	N/A	1	VALVE BODY, NOT SERVICED SEPARATELY
3	N/A	1	COVER, NOT SERVICED SEPARATELY
4	011311020	2	M10 X 20 BOLT
5	052100140	2	O-RING
6	340292120	1	PIN
7	010700618	2	M6 X 18 BOLT
8	N/A	1	LINK, NOT SERVICED SEPARATELY
9	N/A	1	SPACER, NOT SERVICED SEPARATELY
10	N/A	1	OIL SEAL, NOT SERVICED SEPARATELY
11	N/A	1	SPACER, NOT SERVICED SEPARATELY
12	N/A	1	SPOOL, NOT SERVICED SEPARATELY
13	N/A	1	O-RING, NOT SERVICED SEPARATELY
14	N/A	1	SPOOL SPRING, NOT SERVICED SEPARATELY
15	048100004	2	STEEL BALL
16	N/A	1	SPRING, NOT SERVICED SEPARATELY
17	N/A	1	STEEL BALL, NOT SERVICED SEPARATELY
18	N/A	1	DETENT, NOT SERVICED SEPARATELY
19	N/A	1	END CAP, SPRING, NOT SERVICED SEPARATELY
20	010700618	2	M6 X 18 BOLT
21	340293826	1	CONTROL VALVE SEAL KIT (INCLUDES 10, 13, 22, 23, 24 & 25)
22	N/A	1	O-RING
23	N/A	1	BACKUP RING
24	N/A	1	COLLAR
25	N/A	1	DUST SEAL

NOTES:

Hydraulics Filters

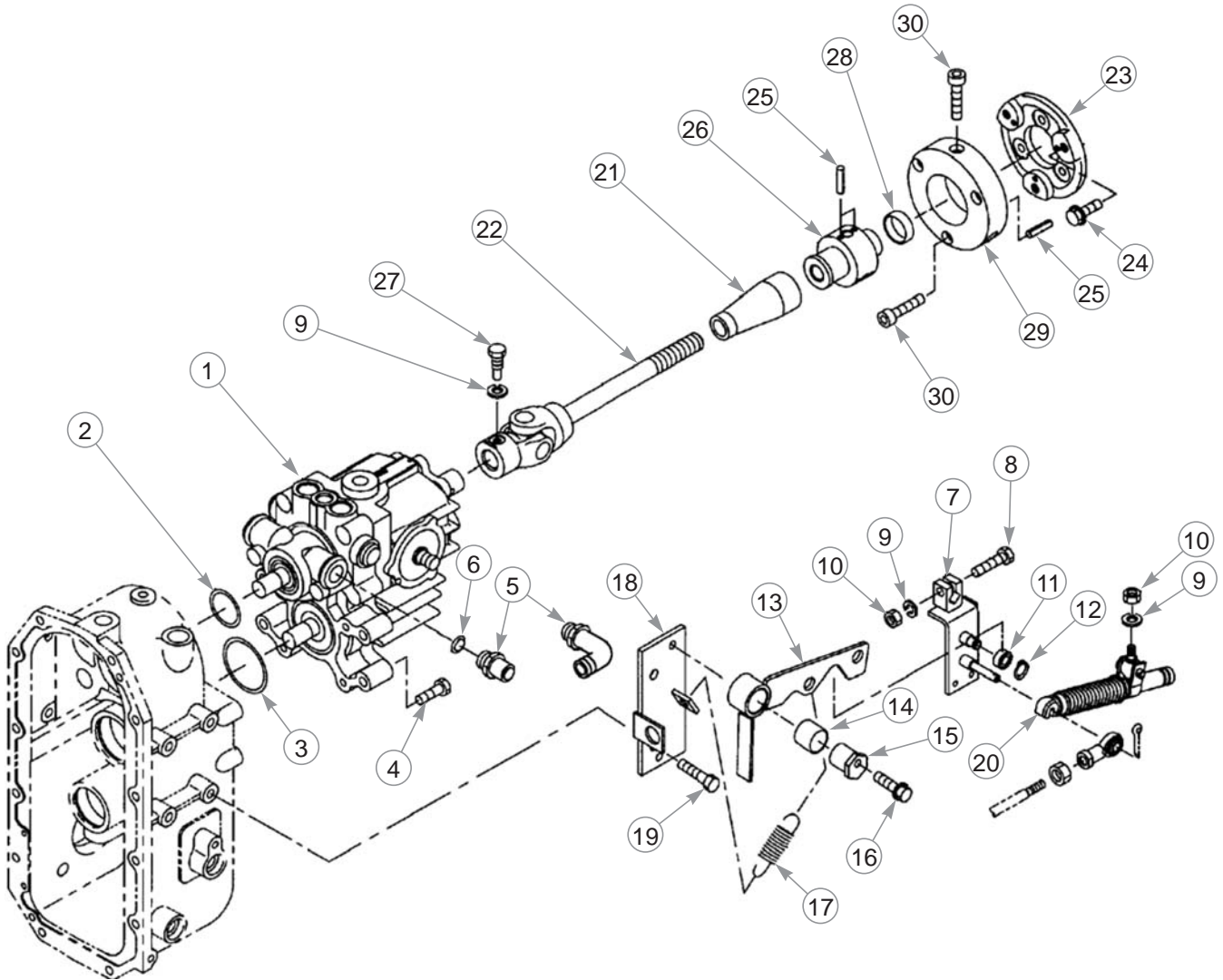


Hydraulics Filters

INDEX NO.	PART NO.	QTY.	DESCRIPTION
1	340501040	1	HYDRAULIC OIL FILTER
2	340560340	1	FILTER HEAD
3	011510820	4	M8 X 1.25 X 20 BOLT
4	340692060	1	HYDRAULIC PIPE
5	340670030	1	ADAPTER
6	340673640	1	ADAPTER
7	052100140	1	O-RING
8	340500750	1	TRANSMISSION HYDRAULIC OIL FILTER
9	340673520	1	HYDRAULIC FILTER ADAPTER
10	340707980	1	HYDRAULIC PIPE
11	052100160	1	O-RING
12	052100250	2	O-RING
13	011511016	1	M10 X 16 BOLT
14	011511020	1	M10 X 20 BOLT
15	340530290	1	FILTER MOUNT BRACKET

NOTES:

Hydrostatic Drive Coupling

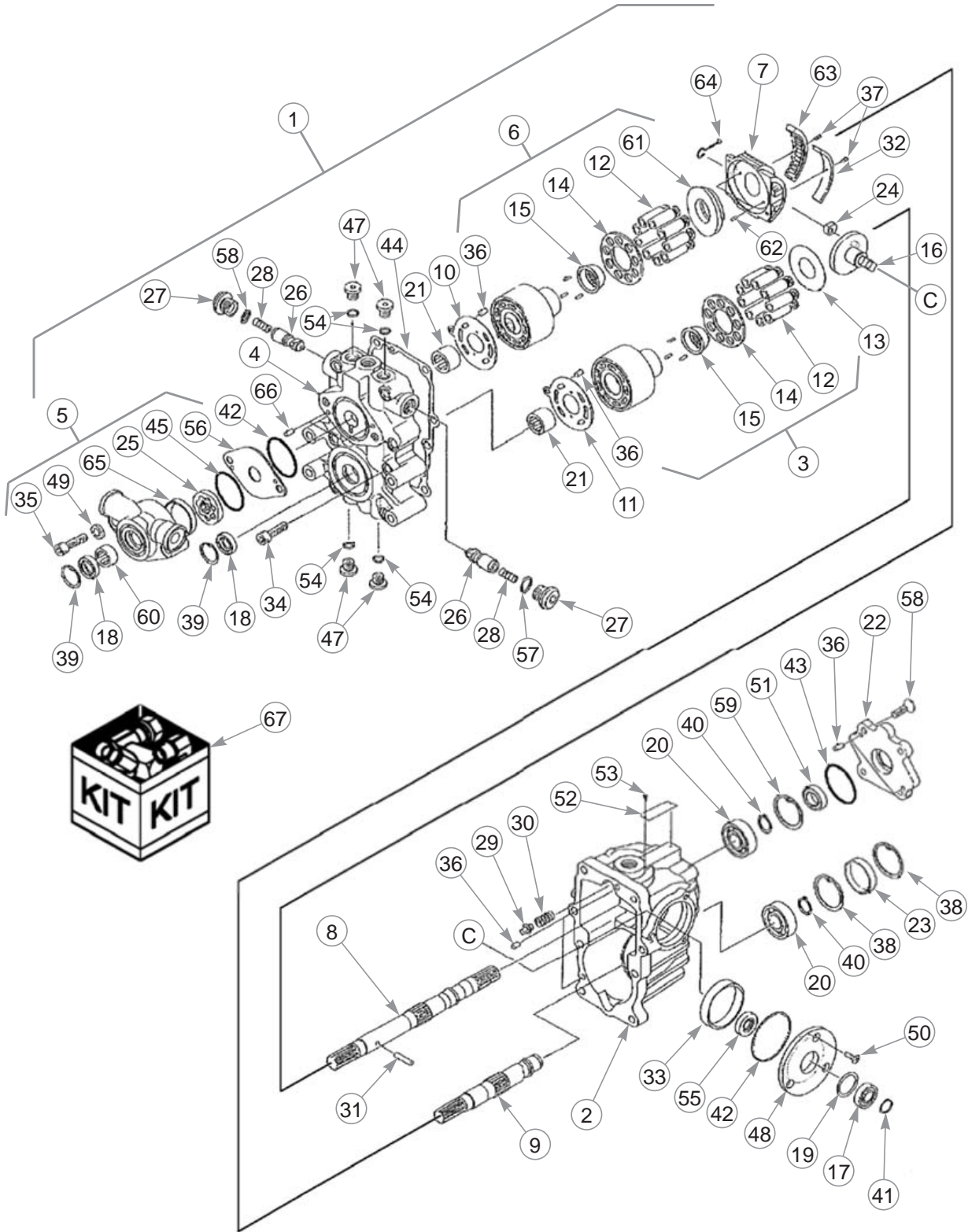


Hydrostatic Drive Coupling

INDEX NO.	PART NO.	QTY.	DESCRIPTION
1	322800162	1	MAIN HYDRO TRANSMISSION
2	052300400	1	O-RING
3	052300600	1	O-RING
4	011511050	4	M10 X 50 BOLT
5	340673870	1	ADAPTER
6	052100140	1	O-RING
7	340106620	1	LEVER
8	010310835	1	M8 X 35 8.8 HEX BOLT
9	027100008	3	M8 LOCK WASHER
10	020900008	2	M8 CL 8 NUT
11	040146000	1	BALL BEARING
12	036100010	1	M10 EXT SNAP RING
13	324202780	1	PUMP ARM
14	398510150	1	BUSHING
15	324120980	1	PUMP ADJUSTER STOP
16	011510845	1	M8 X 45 BOLT
17	498221080	1	SPRING
18	324501260	1	GUIDE
19	011511020	2	M10 X 20 BOLT
20	378910020	1	MAIN DRIVE DAMPER
21	398120950	1	SHAFT BOOT
22	398380850	1	PUMP DRIVE SHAFT
23	322613180	1	FLEX COUPLING
24	010331225	3	M12 X 25 BOLT
25	030300412	9	PIN
26	322630140	1	DRIVE SHAFT COUPLING
27	010109265	1	BOLT
28	064210025	1	SEALING PLUG
29	320720230	1	FLEX COUPLING
30	010701035	6	M10 X 35 BOLT

NOTES:

HST Assembly



HST Assembly

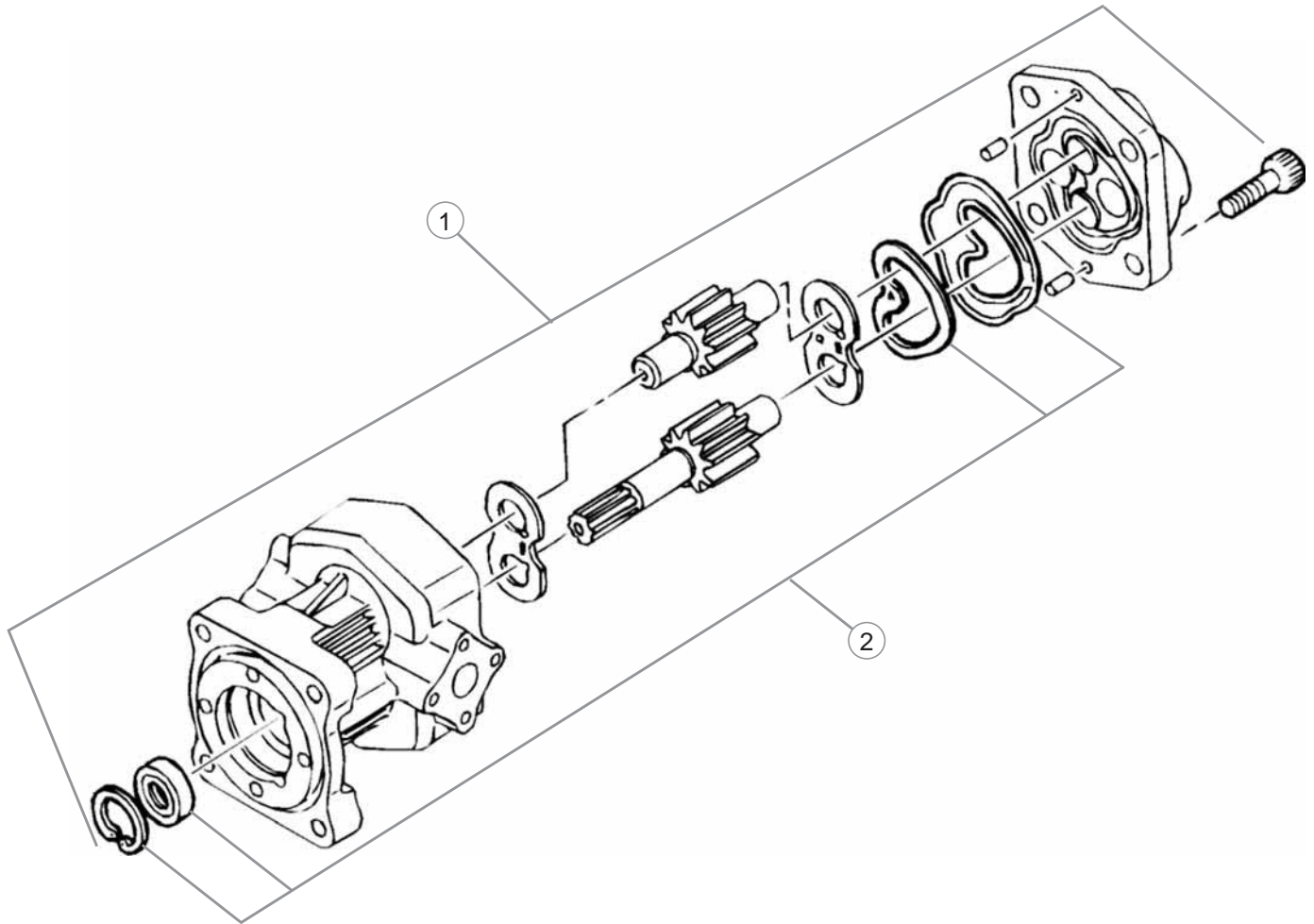
INDEX NO.	PART NO.	QTY.	DESCRIPTION
1	322800162	1	MAIN HYDRO TRANSMISSION
2	N/A	1	CASE, NOT SERVICED SEPARATELY
3	322840825	1	CYLINDER BLOCK KIT
4	N/A	1	CHARGE PUMP CASE, NOT SERVICED SEPARATELY
5	322840823	1	SMALL CHARGE PUMP
6	322840990	1	CYLINDER BLOCK KIT
7	322840790	1	SWASH PLATE
8	322840791	1	UPPER SHAFT
9	322840792	1	LOWER SHAFT
10	322840793	1	UPPER PLATE
11	322840794	1	LOWER VALVE PLATE
12	N/A	18	PISTON ASSEMBLY, NOT SERVICED SEPARATELY
13	322840795	1	THRUST PLATE
14	N/A	2	RETAINER, NOT SERVICED SEPARATELY
15	N/A	2	RETAINER HOLDER, NOT SERVICED SEPARATELY
16	322840796	1	SHAFT
17	322840797	1	BALL BEARING
18	N/A	1	NOT SERVICED SEPARATELY
19	322840799	1	WASHER
20	322840800	2	BALL BEARING
21	322840801	2	NEEDLE BEARING
22	322840802	1	COVER
23	322840803	1	BORE PLUG
24	322840804	1	METAL SLIDES
25	N/A	1	ROTOR, NOT SERVICED SEPARATELY
26	322840773	2	CONTROL VALVE
27	322840774	2	PLUG
28	322840775	1	SPRING
29	322840728	1	CONTROL VALVE
30	322840727	1	SPRING
31	322840805	1	PIN
32	322840806	1	BUSHING
33	322840807	1	BUSHING
34	322840808	8	SOCKET HEAD BOLT
35	010701045	2	M10 X 45 BOLT
36	322840809	6	PIN
37	322840810	2	PIN
38	036500055	2	INT M55 SNAP RING
39	036500030	2	INT M30 SNAP RING
40	036100025	2	EXT M25 SNAP RING
41	036100020	1	EXT M20 SNAP RING
42	N/A	2	O-RING, NOT SERVICED SEPARATELY
43	N/A	1	O-RING, NOT SERVICED SEPARATELY
44	N/A	1	GASKET, NOT SERVICED SEPARATELY
45	N/A	1	O-RING, NOT SERVICED SEPARATELY
46	N/A	2	SPRING, NOT SERVICED SEPARATELY
47	322840813	4	PLUG
48	322840814	1	COVER
49	026100010	2	M10 X 20 X 2 WASHER

INDEX NO.	PART NO.	QTY.	DESCRIPTION
50	015300614	3	SCREW
51	N/A	1	NOT SERVICED SEPARATELY
52	N/A	1	NOT SERVICED SEPARATELY
53	N/A	2	NOT SERVICED SEPARATELY
54	052110110	4	O-RING
55	N/A	1	NOT SERVICED SEPARATELY
56	322840821	1	PLATE
57	N/A	2	NOT SERVICED SEPARATELY
58	322840817	4	SCREW
59	036500052	1	INT #206 2.062" SNAP RING
60	N/A	1	NOT SERVICED SEPARATELY
61	322840818	1	THRUST PLATE
62	322840779	2	PIN
63	322840819	1	ROLLER BEARING
64	322840820	1	GUIDE ASSEMBLY LATCH
65	N/A	1	NOT SERVICED SEPARATELY
66	410810430	2	PIN
67	322840822	1	HST SEALS KIT

NOTES:

1. Item 1 (Main Hydro Transmission-322800160).
2. Item 3 (Cylinder Block Kit-322840825) includes items 12, 14, 15.
3. Item 5 (Small Charge Pump-322840823) includes items 17, 25.
4. Item 6 (Cylinder Block Kit-322840990) includes Items 10, 12, 14, 15, 36, 61.

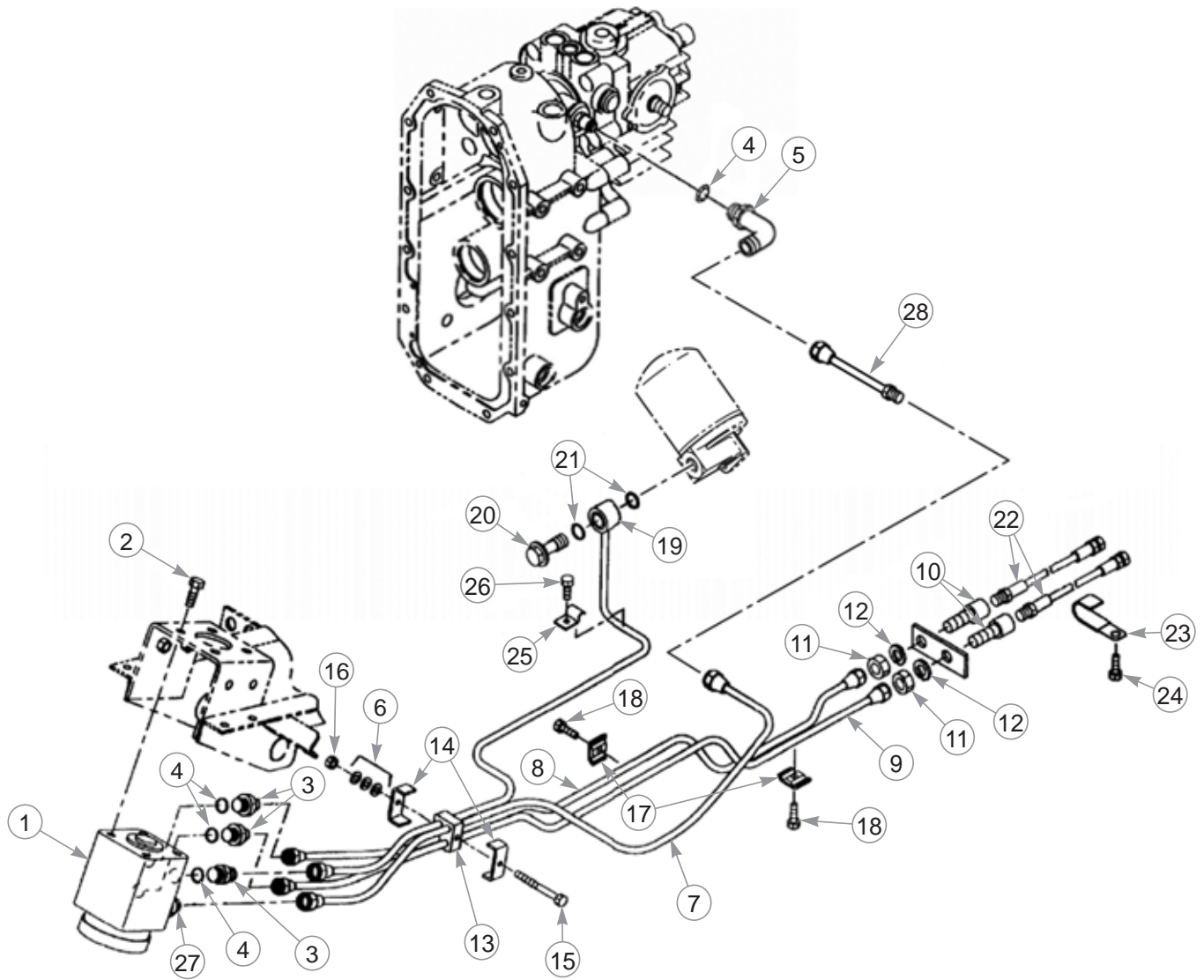
Hydraulic Pump



INDEX NO.	PART NO.	QTY.	DESCRIPTION
1	340451030	1	AUX HYDRAULIC PUMP
2	340490224	1	PW STEERING SEAL KIT

NOTES:

Steering Case Hydraulics



Steering Case Hydraulics

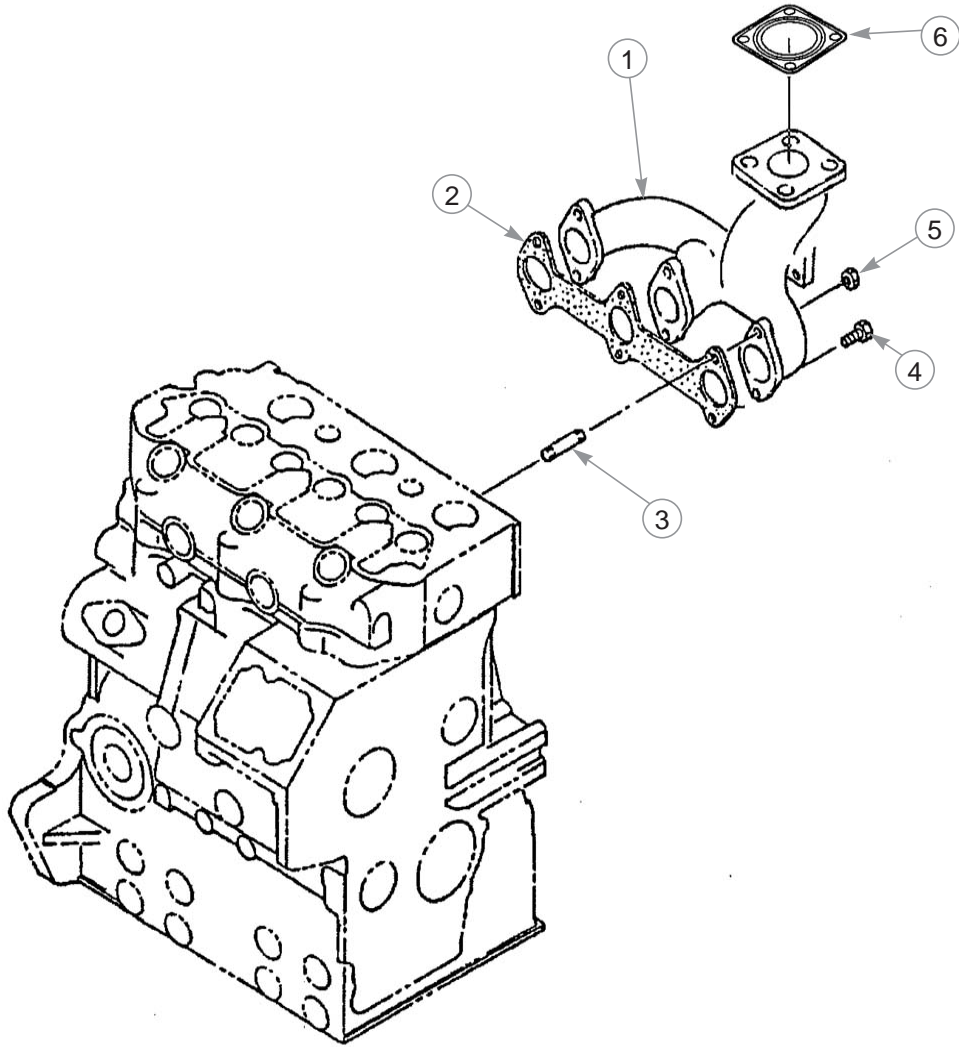
INDEX NO.	PART NO.	QTY.	DESCRIPTION
1	334011200	1	CONTROL VALVE
2	011611020	4	BOLT
3	340671220	2	M14 ADAPTER
4	052100140	4	O-RING
5	340673870	1	ADAPTER
6	026100006	3	M6 X12 X 1.6 WASHER
7	340707991	1	POWER STEERING PIPE
8	340708000	1	POWER STEERING PIPE
9	340708010	1	POWER STEERING PIPE
10	340671381	2	ADAPTER
11	020800014	2	NUT
12	027100014	2	9/16" LOCK WASHER
13	398115630	1	CLAMP
14	399112130	2	CLAMP
15	010110660	1	M6 X 60, 8.8 HEX BOLT
16	022400006	1	NUT
17	199106020	2	CLAMP
18	010800620	2	M6 X 20 BOLT
19	340708020	1	HYDRAULIC PIPE
20	398480240	1	3/8" BANJO EYE BOLT
21	052100200	2	O-RING
22	340692021	2	HOSE
23	399113650	1	CLAMP
24	011511020	1	M10 X 20 BOLT
25	399100630	1	CLAMP
26	011310620	1	M6 X 20, 8.8 HEX BOLT
27	334293135	1	POWER STEERING CHECK VALVE
28	340692650	1	PIPE

NOTES:

Section 7

Exhaust Manifold	7-2
Air Cleaner & Muffler	7-4
Radiator	7-6
Engine Support	7-8
Fuel Tank	7-10
Fuel Lines & Battery	7-12

Exhaust Manifold

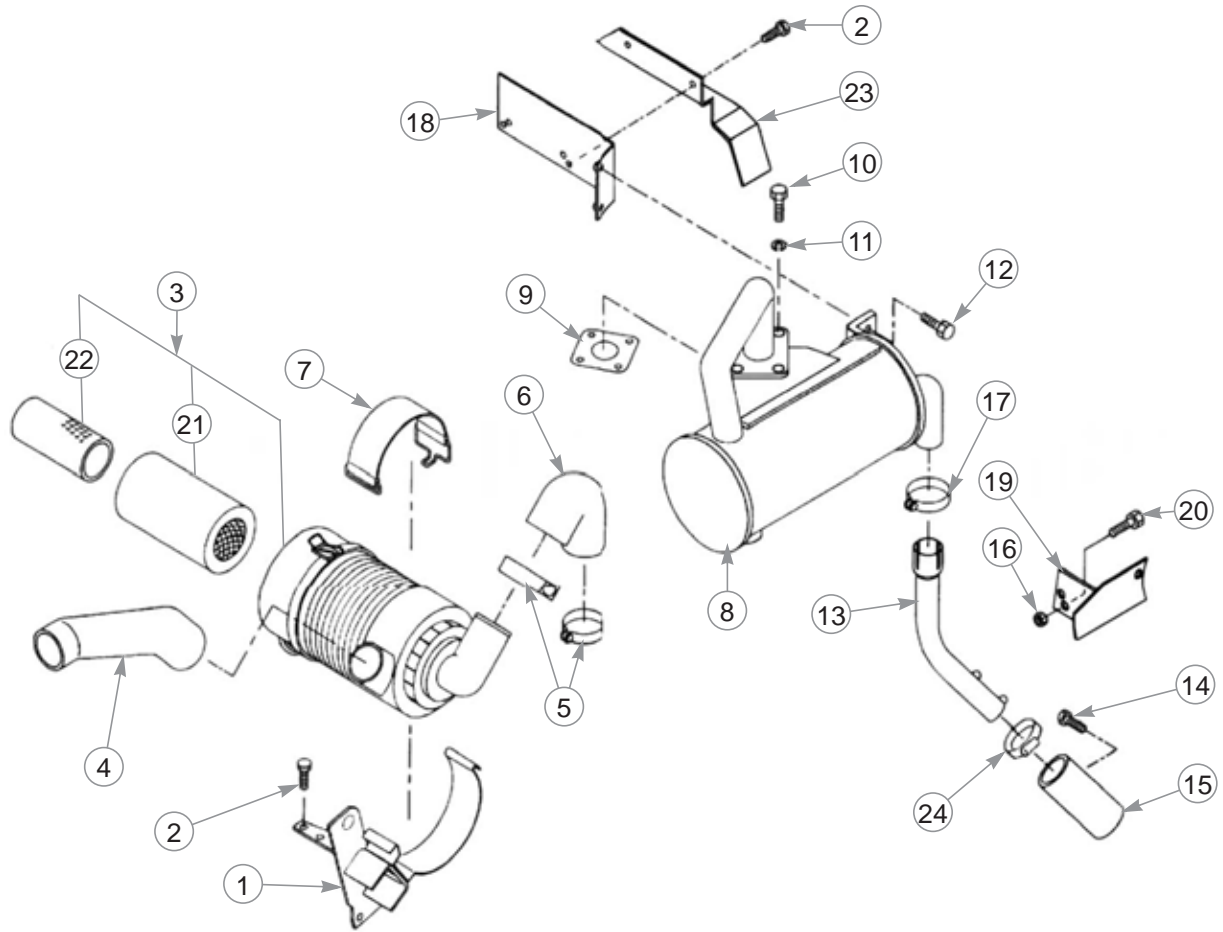


INDEX NO.	PART NO.	QTY.	DESCRIPTION
1	135616400	1	EXHAUST MANIFOLD
2	135996590	1	MANIFOLD GASKET
3	012110625	2	STUD
4	011310625	4	M6 X 25, 8.8 HEX BOLT
5	023100006	2	M6 X 1 NUT
6	314990013	1	MUFFLER GASKET

NOTES:

This page is intentionally left blank.

Air Cleaner & Muffler

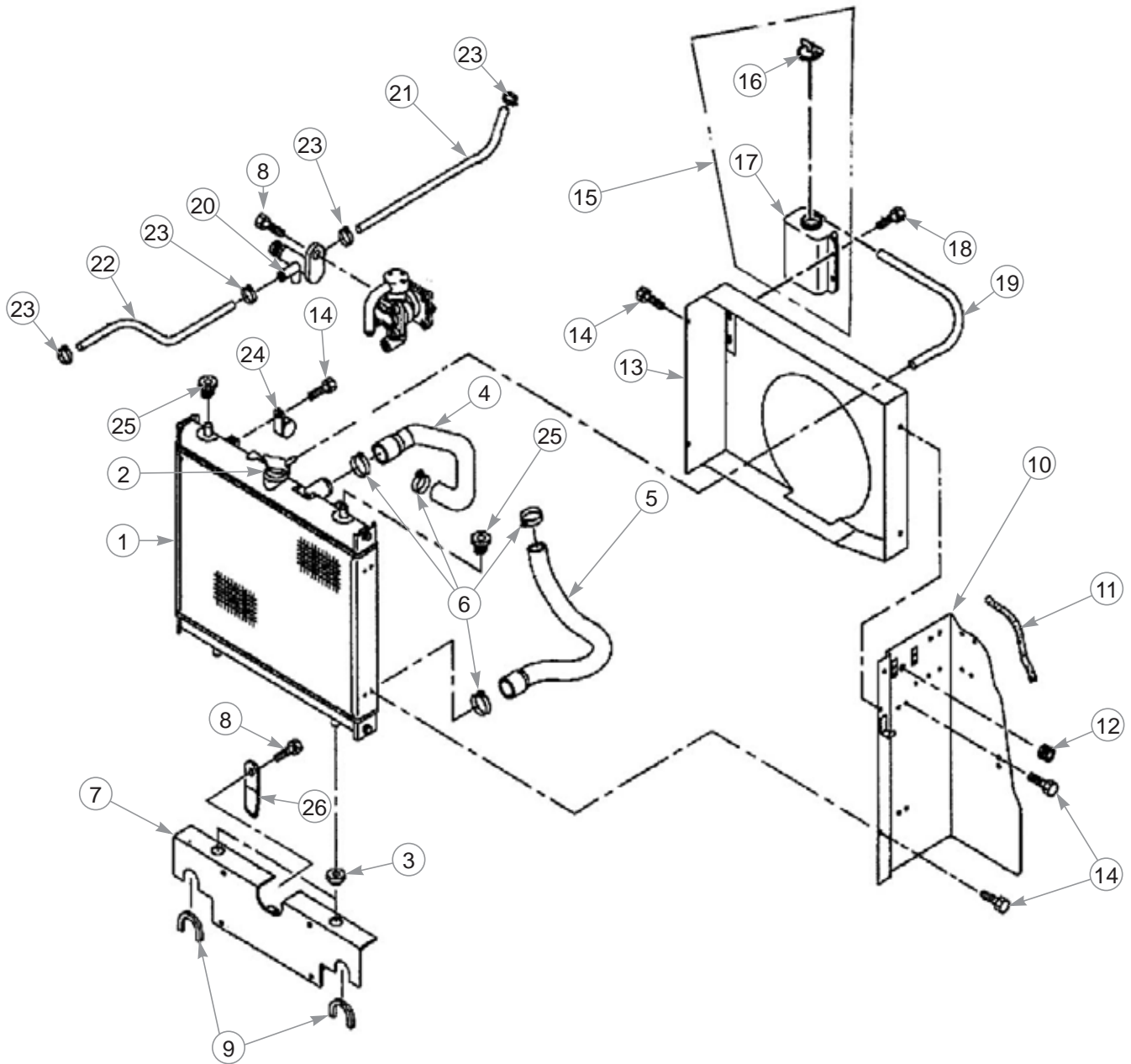


Air Cleaner & Muffler

INDEX NO.	PART NO.	QTY.	DESCRIPTION
1	314601701	1	AIR CLEANER MOUNT
2	010800816	3	M8 X 16 BOLT
3	314500860	1	AIR CLEANER (WITH FILTERS)
4	314541250	1	AIR CLEANER SUCTION HOSE
5	067100062	2	COLLAR CLAMP
6	314541680	1	AIR CLEANER HOSE
7	398119972	1	AIR CLEANER CLAMP
8	314102391	1	MUFFLER
9	314990013	1	MUFFLER GASKET
10	010109337	4	BOLT
11	027100008	4	M8 LOCK WASHER
12	011810816	2	BOLT
13	314102410	1	EXHAUST PIPE
14	010109206	2	BOLT
15	314141190	1	EXHAUST TIP
16	020900010	1	M10 NUT
17	398750260	1	CLAMP
18	314430670	1	MUFFLER SUPPORT
19	314430531	1	MUFFLER SUPPORT
20	010311040	1	FULL THREAD M10 X 40, 8.8 HEX BOLT
21	785261	1	AIR FILTER
22	785279	1	SAFETY FILTER
23	350755850	1	FLYWHEEL COVER
24	398750410	1	CLAMP

NOTES:

Radiator

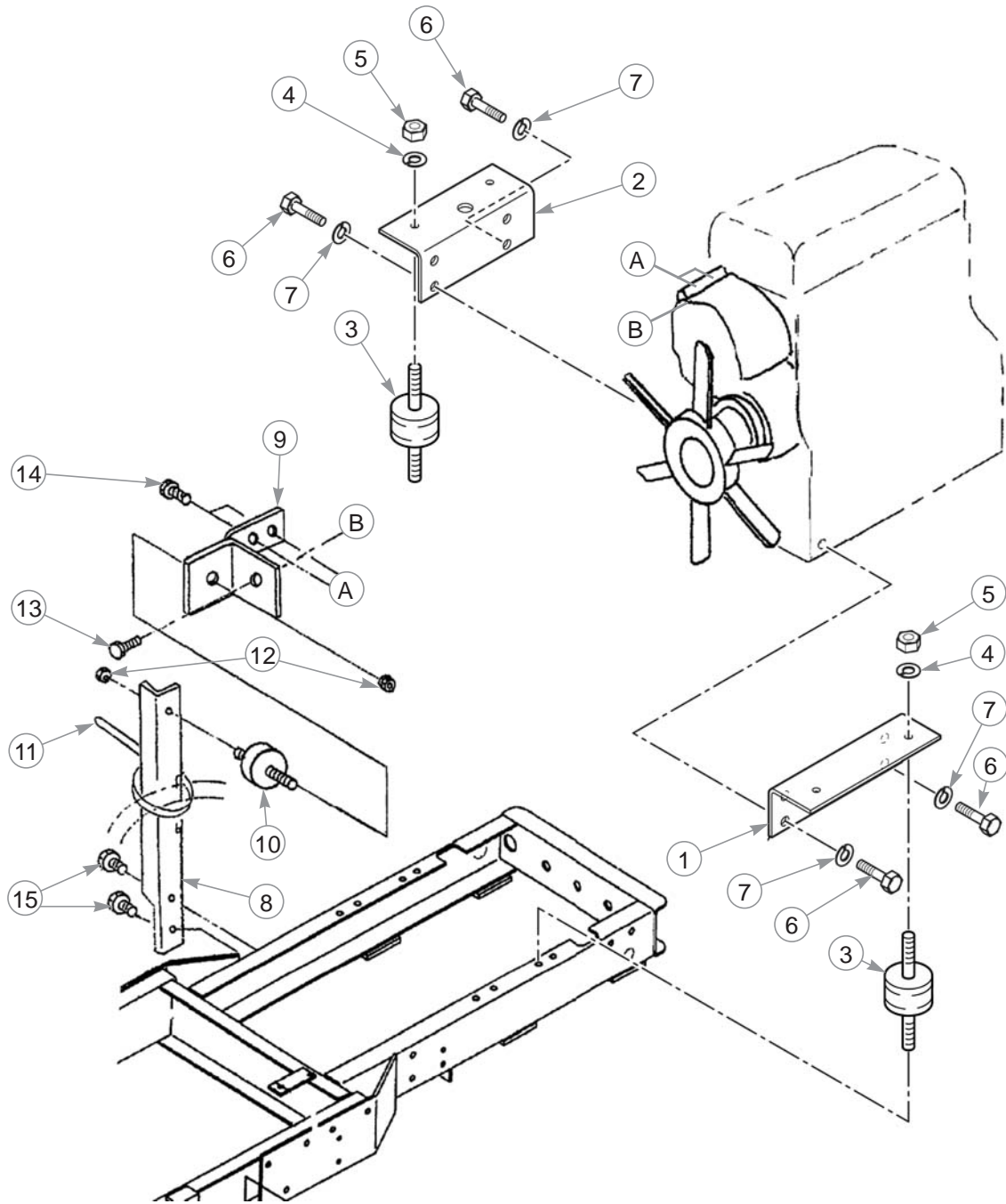


Radiator

INDEX NO.	PART NO.	QTY.	DESCRIPTION
1	310100980	1	RADIATOR
2	310110200	1	RADIATOR CAP
3	398119670	2	RADIATOR MOUNT BUSHING
4	310161500	1	UPPER COOLANT HOSE
5	310161510	1	LOWER COOLANT HOSE
6	067100043	4	CLAMP
7	310300880	1	RADIATOR SUPPORT
8	010800820	3	M8 X 20, 8.8 HEX FLANGED BOLT
9	398121160	2	RUBBER SEAL 3.5 IN (90MM) LONG
10	310361381	1	RADIATOR PLATE SUPPORT
11	398127270	1	RUBBER SEAL
12	398110240	1	GROMMET
13	310250122	1	SHROUD
14	010800612	4	M6 X12 BOLT
15	310550110	1	COOLANT TANK ASSEMBLY
16	310110190	1	COOLANT TANK CAP
17	310560050	1	COOLANT TANK
18	010800616	2	M6 X16 BOLT
19	310120260	1	COOLANT OVERFLOW PIPE
20	310130290	1	SUPPLY DRAINCOCK/TAP
21	360771170	1	COOLANT DRAIN TUBE 10.6 IN (270MM)
22	360771280	1	COOLANT DRAIN TUBE
23	398750430	4	CLAMP
24	399111960	1	CLAMP
25	398110501	2	RUBBER PLUG
26	399113620	1	CLAMP

NOTES:

Engine Support

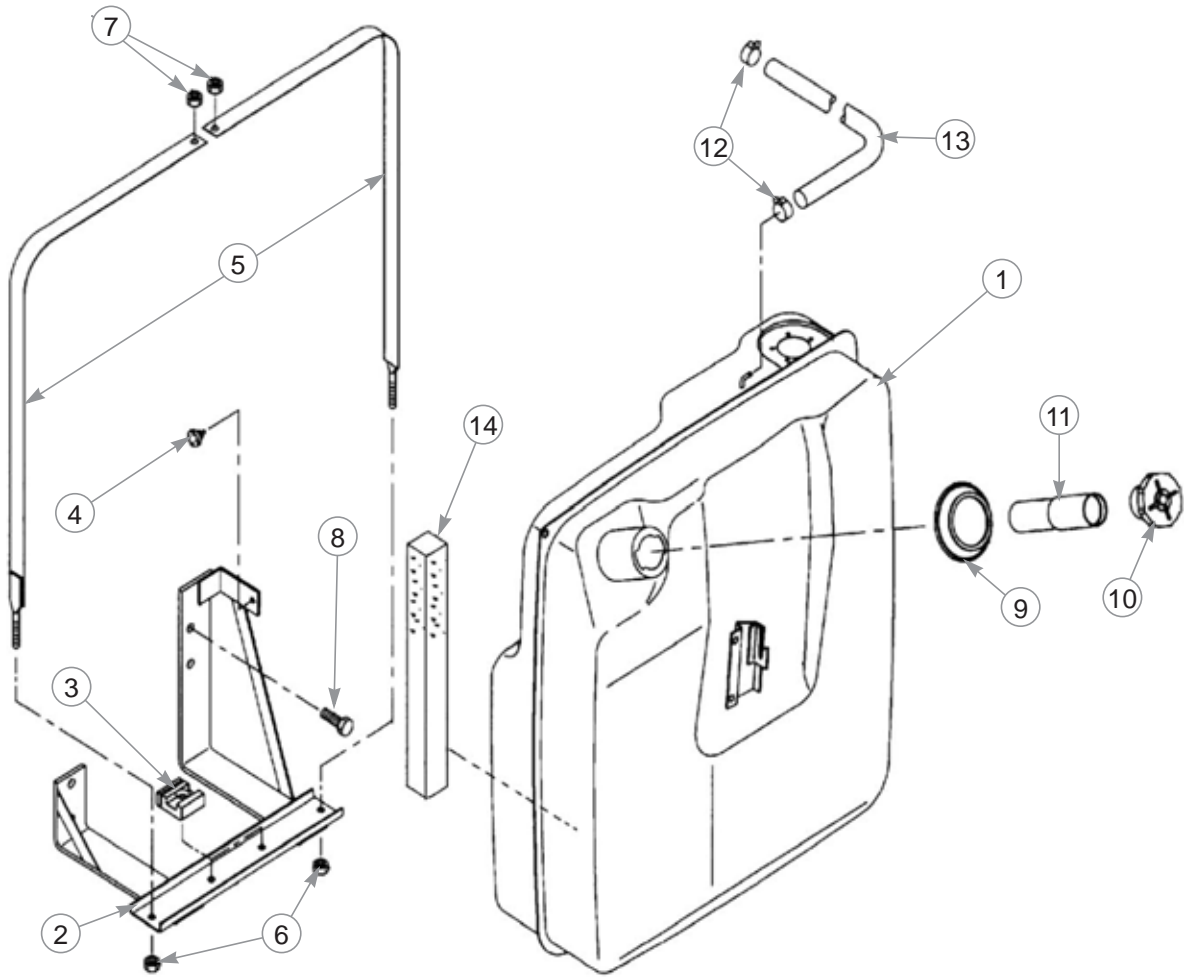


Engine Support

INDEX NO.	PART NO.	QTY.	DESCRIPTION
1	310610480	1	LS ENGINE MOUNT
2	310610490	1	RS ENGINE MOUNT
3	398120790	4	RUBBER ENGINE MOUNT
4	027100010	4	M10 LOCK WASHER
5	020900010	4	M10 CL 8 NUT
6	010411425	8	M14 X 25 BOLT
7	027100014	8	9/16" LOCK WASHER
8	310610511	1	ENGINE SIDE SUPPORT (S/N 12042920 & HIGHER)
	310610510	1	ENGINE SIDE SUPPORT (S/N PRIOR TO 12042920)
9	310610681	1	SUPPORT BRACKET
10	398123350	1	RUBBER BUSHING (S/N 13022793 & HIGHER)
	398110550	1	RUBBER BUSHING (S/N PRIOR TO 13022793)
11	398750150	1	CABLE STRAP
12	021500010	2	NUT
13	011510820	1	M8 X 1.25 X 20 BOLT
14	011310616	2	M6 X 16 BOLT
15	010311020	2	FULL THREAD M10 X 20 8.8 HEX BOLT

NOTES:

Fuel Tank

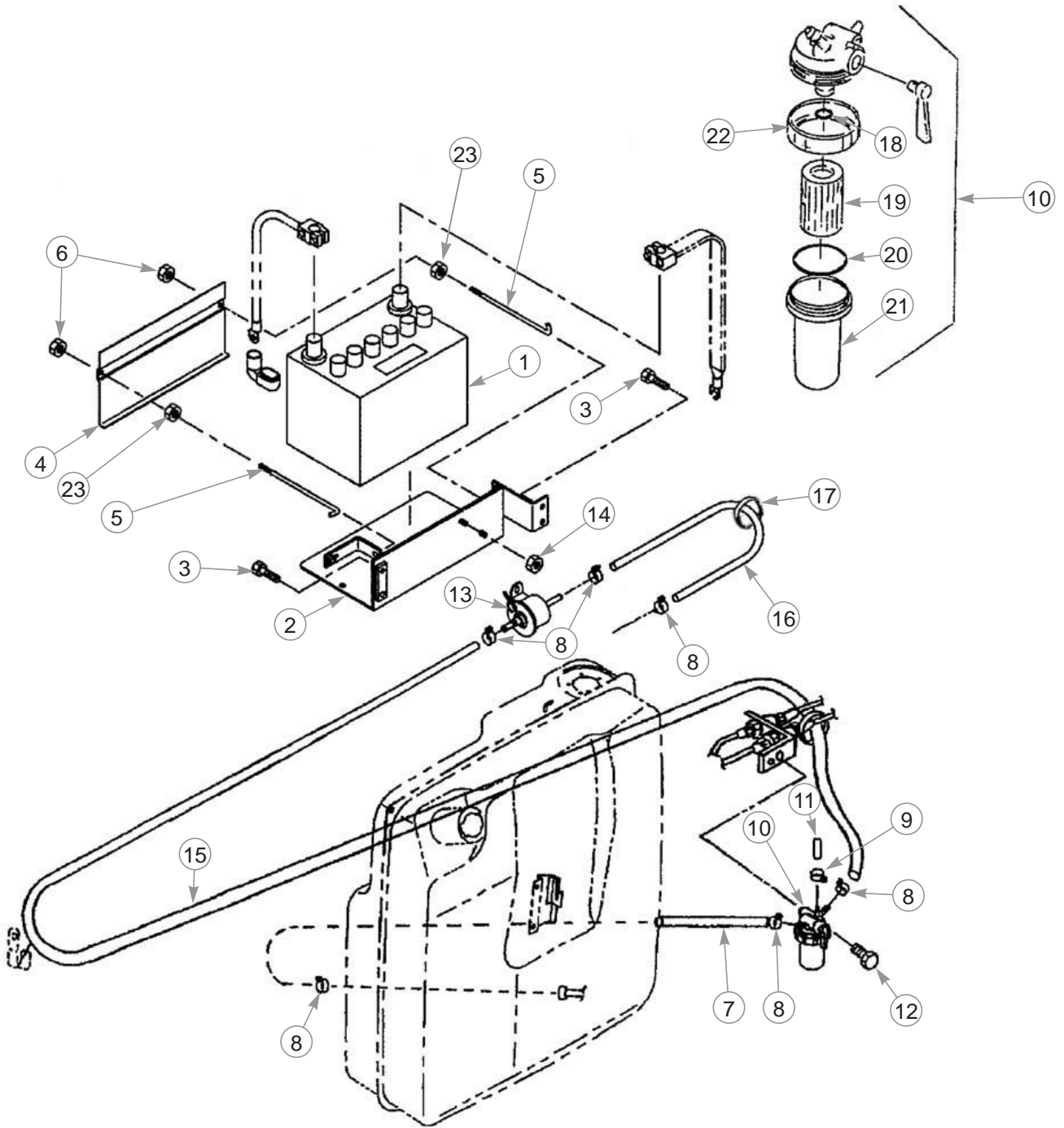


Fuel Tank

INDEX NO.	PART NO.	QTY.	DESCRIPTION
1	360102110	1	FUEL TANK
2	360501350	1	FUEL TANK SUPPORT
3	398115530	2	FUEL TANK INSULATOR
4	398110110	1	RUBBER BUMPER
5	360200670	2	TANK RESTRAINT BAND
6	022300008	2	M8 NUT
7	023100010	2	M8 NUT
8	011511025	4	M10 X 25 BOLT
9	398113570	1	FUEL NECK SEAL
10	360300080	1	FUEL TANK CAP
11	130340110	1	FUEL NECK FILTER
12	067200078	2	HOSE CLAMP
13	068209075	1	FLEXIBLE HOSE 39" (1000 MM) LONG
14	398130310	1	FUEL TANK SEAL

NOTES:

Fuel Lines & Battery



Fuel Lines & Battery

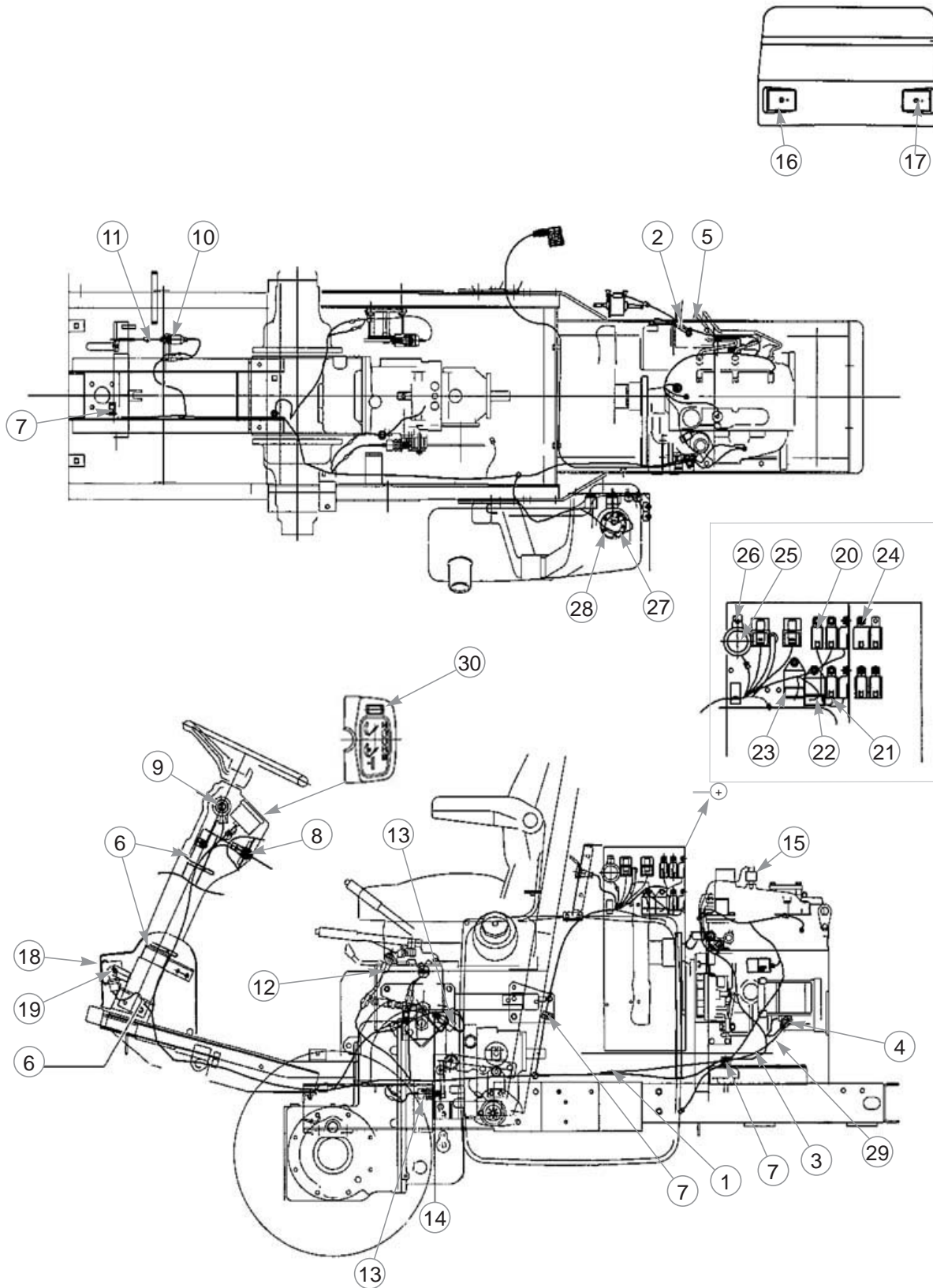
INDEX NO.	PART NO.	QTY.	DESCRIPTION
1	398510750	1	BATTERY
2	389101951	1	BATTERY SUPPORT
3	011510825	4	M8 X 25 BOLT
4	389410310	1	BATTERY COVER
5	389320231	2	J-BOLT BATTERY HOLD DOWN
6	023100006	2	M6 X 1 NUT
7	360771060	1	FUEL HOSE
8	067200130	6	HOSE CLAMP
9	067200078	1	HOSE CLAMP
10	360700231	1	FUEL FILTER (INCLUDES ITEMS 18-22)
11	131646010	1	FUEL FILTER COVER
12	011510840	1	M8 X 40 BOLT
13	360800040	1	FUEL PUMP
14	021500006	2	M6 X 1 NUT
15	360771080	1	FUEL HOSE
16	360771290	1	FUEL HOSE
17	398750150	1	TIE STRAP
18	052109130	1	O-RING
19	360720130	1	FUEL FILTER ELEMENT
20	052109131	1	O-RING
21	360710060	1	FUEL FILTER BOWL
22	360740123	1	FUEL FILTER SPECIAL NUT
23	020100006	2	M6 NUT

NOTES:

Section 8

Wire Harness 8-2

Wire Harness



Wire Harness

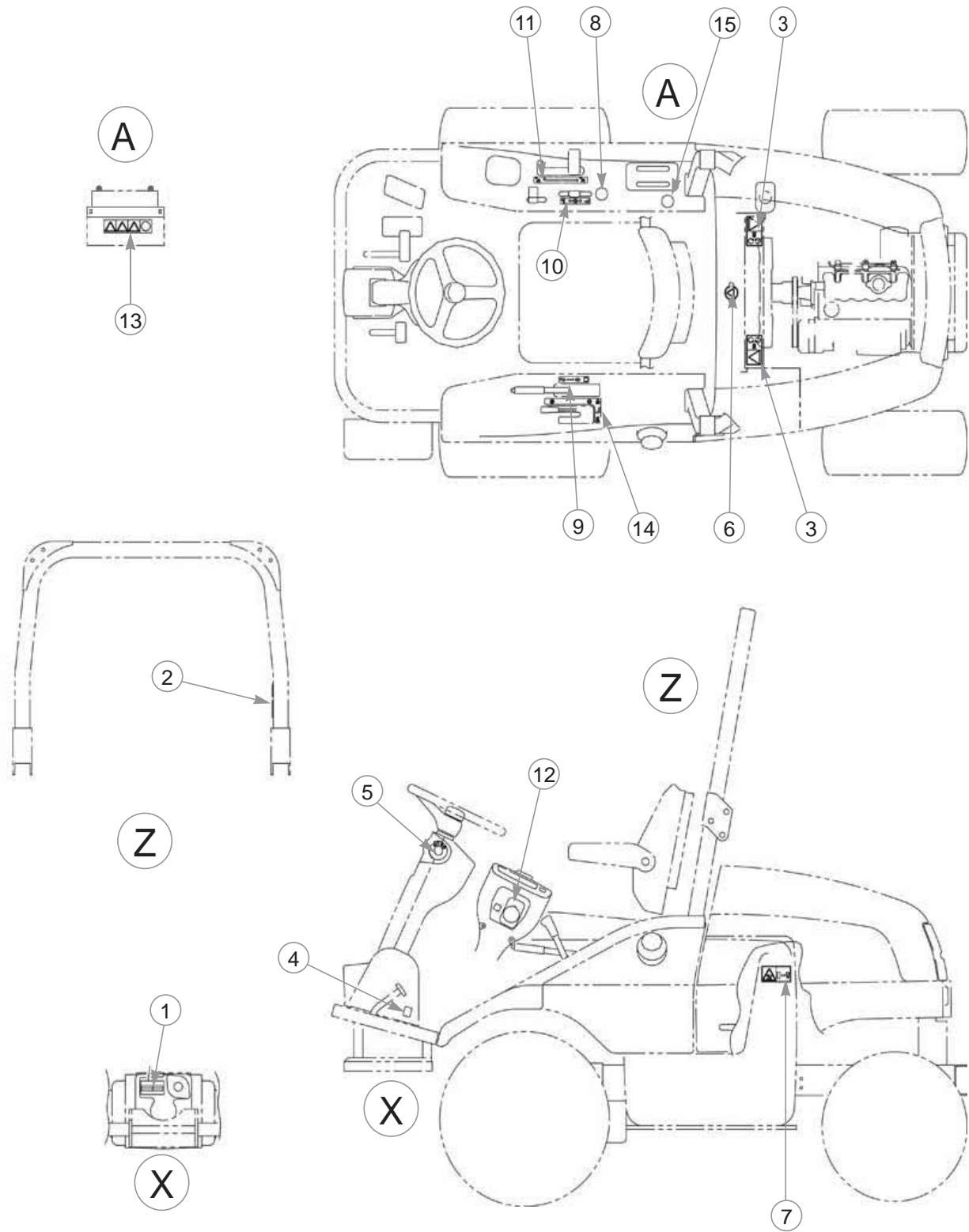
INDEX NO.	PART NO.	QTY.	DESCRIPTION
1	385611040	1	MAIN WIRE HARNESS
2	385612820	1	WIRE HARNESS
3	385650461	1	POSITIVE BATTERY CABLE
4	398119870	1	RUBBER PAD
5	385650940	1	NEGATIVE BATTERY CABLE
6	398750240	4	CABLE STRAP
7	399113650	3	CLAMP
8	385201810	1	HEAD-LAMP SWITCH
9	385202110	1	STARTER SWITCH
10	485220181	1	BRAKE SAFETY SWITCH
11	398211880	1	SPRING
12	385200731	1	PARKING BRAKE SAFETY SWITCH
13	385200891	2	HST, PTO SAFETY SWITCH
14	385240038	1	M14 NUT
15	385200570	1	AIR CLEANER SWITCH
16	385150200	2	LAMP HOOD REFLECTOR
17	023100006	2	M6 X 1 NUT
18	385101910	1	HEADLIGHT FRONT LAMP
19	010800616	2	M6 X 16 BOLT
20	385230300	5	ISM RELAY
21	385230250	1	BRAKE RELAY
22	385870301	1	GLOW TIMER CONTROL UNIT
23	385870640	1	DELAY TIMER CONTROL UNIT
24	010810616	8	M6 X 16 BOLT
25	385250130	1	SAFETY BUZZER
26	015150520	1	SCREW
27	385280210	1	FUEL SENDER GAUGE
28	015140514	5	SCREW
29	385603370	1	FUSIBLE LINK
30	385202100	1	CRUISE CONTROL SWITCH

NOTES:

Section 9

Control Decals	9-2
Power Unit Decals—S/N Prior to 09080000	9-4
Power Unit Decals—S/N 09080000 & Higher	9-6
Wheel Assembly	9-8

Control Decals

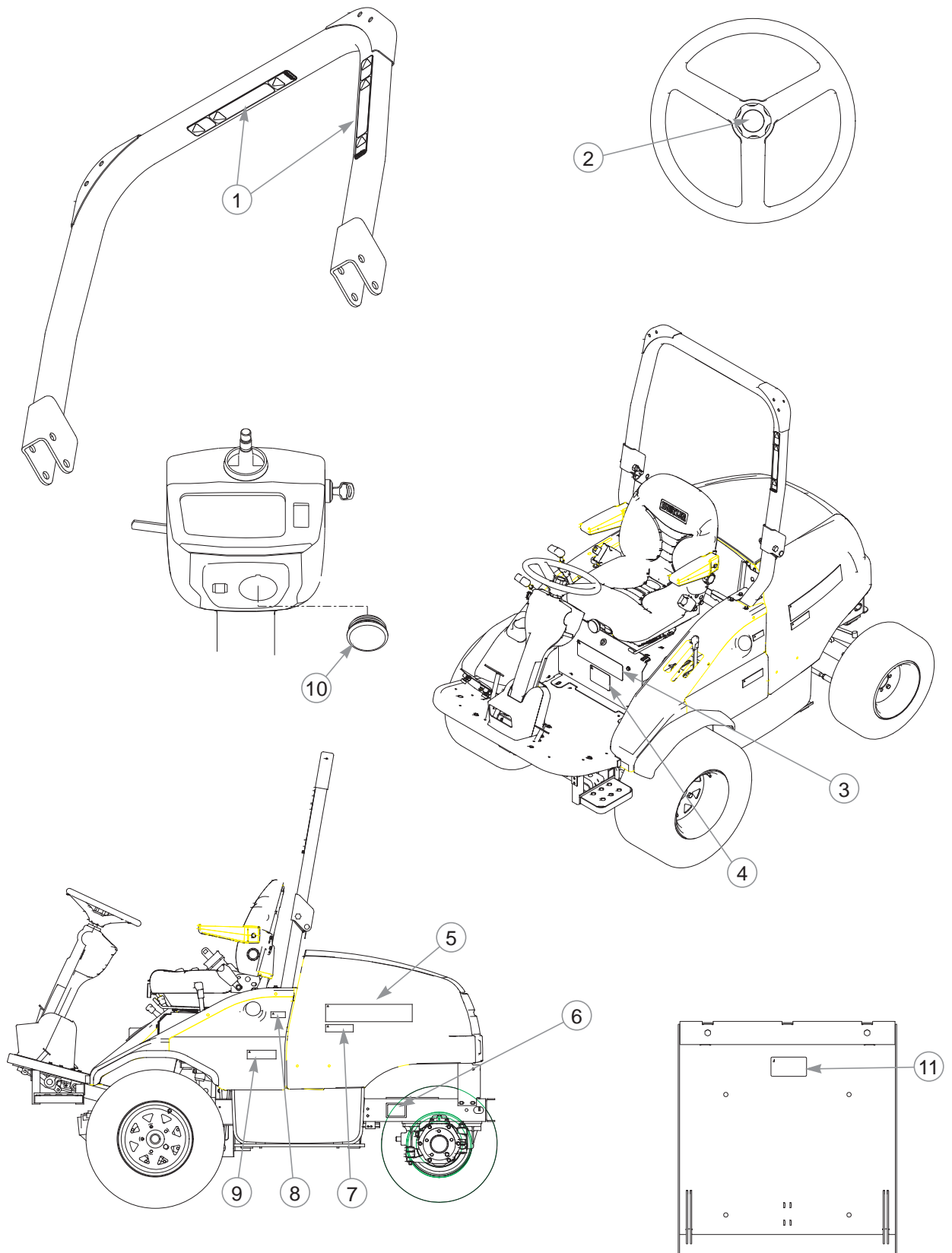


Control Decals

INDEX NO.	PART NO.	QTY.	DESCRIPTION
1	N/A	1	NAME PLATE
2	N/A	1	NAME PLATE
3	490992470	2	FAN CAUTION DECAL
4	390191690	1	DIFFERENTIAL LOCK DECAL
5	390197720	1	KEY SWITCH DECAL
6	490992490	1	RADIATOR CAP CAUTION DECAL
7	490992440	1	HOT CAUTION DECAL
8	390372000	1	FLOAT CONTROL DECAL
9	390197710	1	PARKING BRAKE CAUTION DECAL
10	390372400	1	ATT. CONTROL DECAL
11	390173600	1	PTO DECAL
12	390197120	1	CAUTION PLATE
13	490992480	1	BATTERY CAUTION DECAL
14	390173650	1	SHIFT CONTROL DECAL
15	390199770	1	CAUTION PLATE

NOTES:

Power Unit Decals—S/N Prior to 09080000



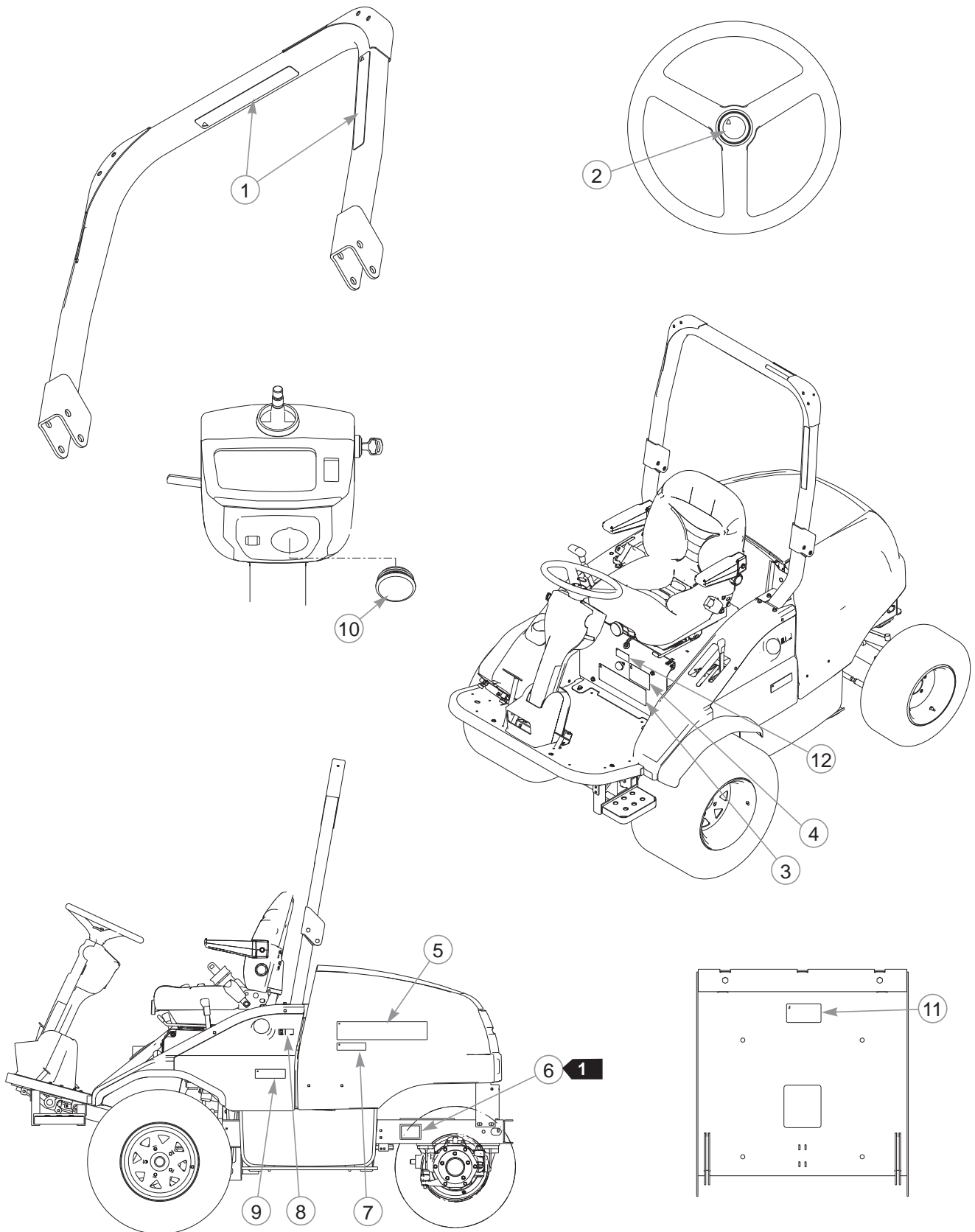
Power Unit Decals—S/N Prior to 09080000

INDEX NO.	PART NO.	QTY.	DESCRIPTION
1	601635	2	ROPS DECAL
2	601622	1	DOMED STEERING WHEEL DECAL
3	601415	1	DIFFERENTIAL LOCK DECAL
4	601625	1	EYES, EARS, FEET DECAL
5	601604	2	HUSTLER/SHIBAURA DECAL
6	N/A	1	SERIAL PLATE
7	601607	2	3700 ID DECAL
8	728469	1	DIESEL FUEL DECAL
9	601605	2	ALL WHEEL DRIVE DECAL
10	602075	1	PLUG PE FOR 2.25 O.D.
11	601968	1	HYDRAULIC PRESSURE DECAL,

NOTES:

1. In the event the serial number tag becomes damaged or illegible, please contact your dealer to order a replacement.

Power Unit Decals—S/N 09080000 & Higher



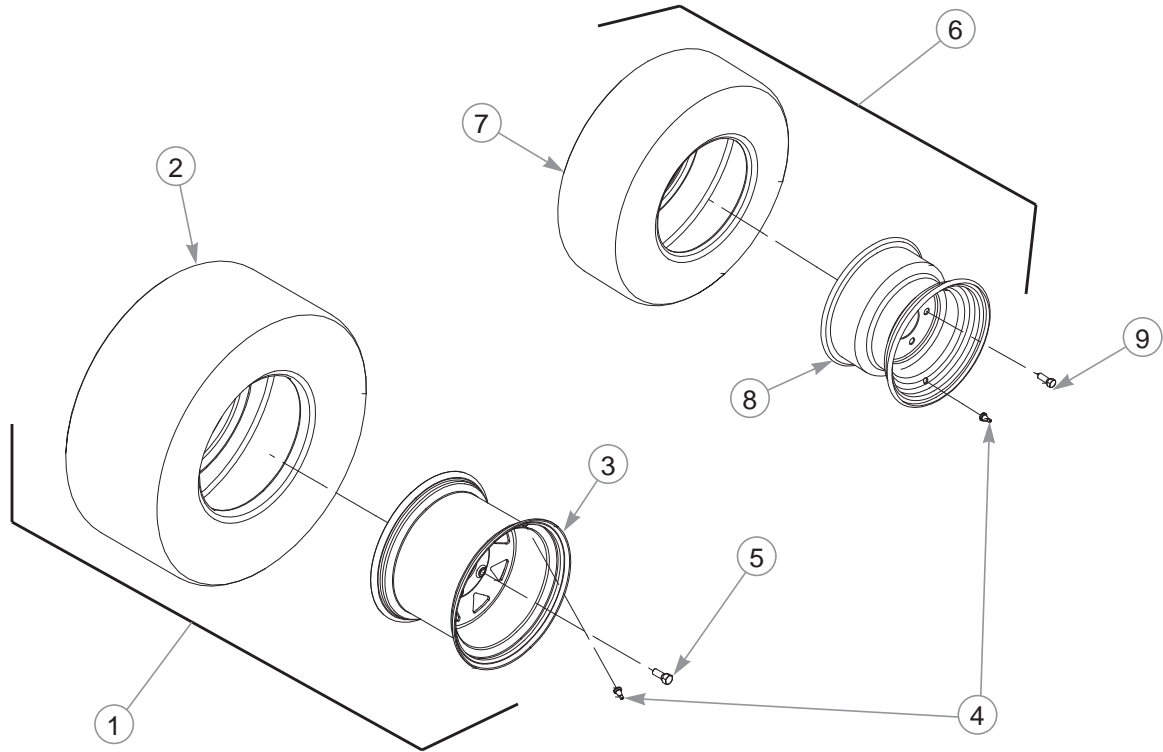
Power Unit Decals—S/N 09080000 & Higher

INDEX NO.	PART NO.	QTY.	DESCRIPTION
1	601635	2	ROPS DECAL
2	601622	1	DOMED STEERING WHEEL DECAL
3	601415	1	DIFFERENTIAL LOCK DECAL
4	601625	1	EYES, EARS, FEET DECAL
5	601604	2	HUSTLER/SHIBAURA DECAL
6	N/A	1	SERIAL PLATE
7	601607	2	3700 ID DECAL
8	728469	1	DIESEL FUEL DECAL
9	601605	2	ALL WHEEL DRIVE DECAL
10	602075	1	PLUG PE FOR 2.25 O.D.
11	601968	1	HYDRAULIC PRESSURE DECAL,
12	602327	1	SEAT LATCH DECAL

NOTES:

1. In the event the serial number tag becomes damaged or illegible, please contact your dealer to order a replacement.

Wheel Assembly



Wheel Assembly

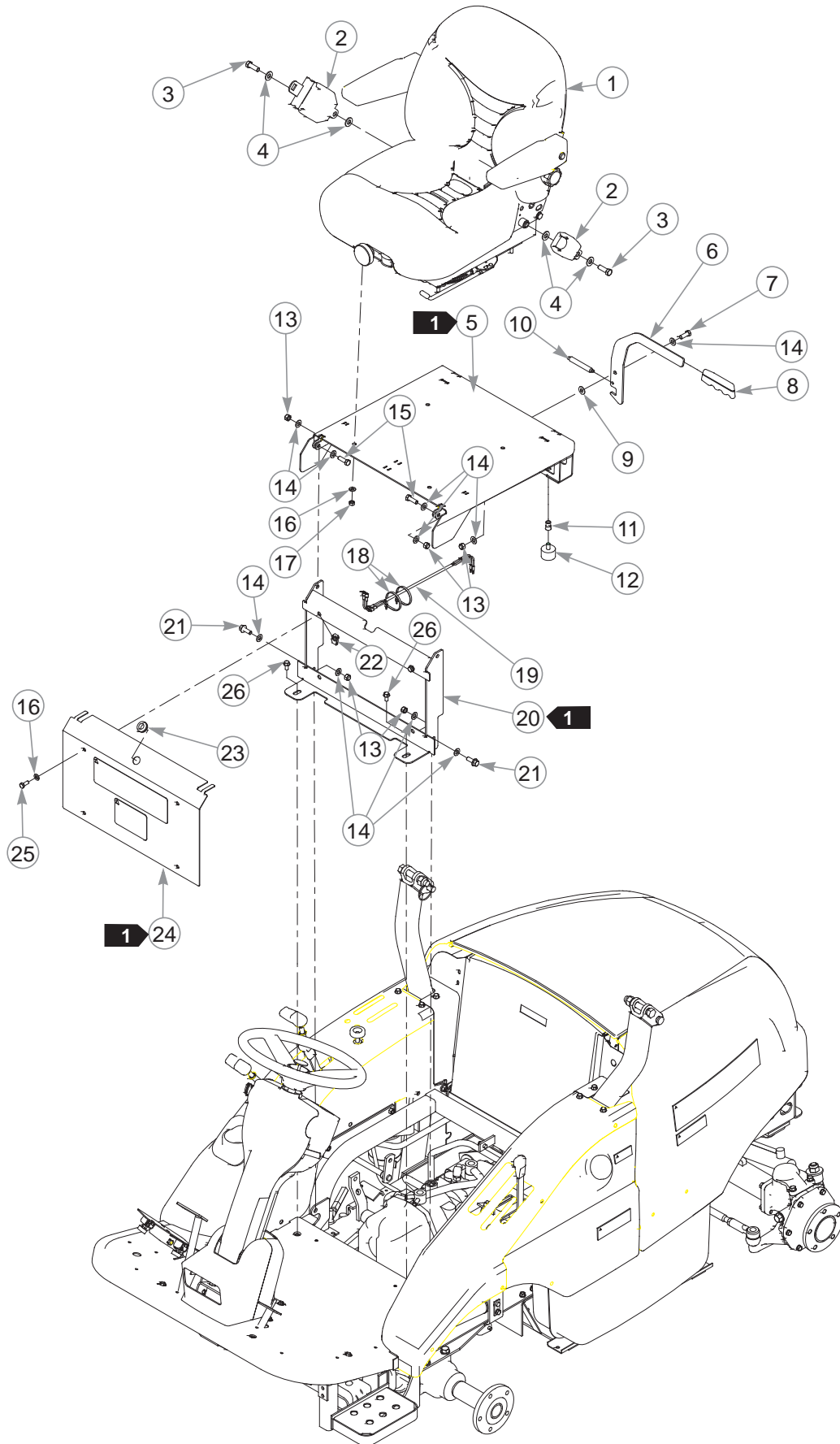
INDEX NO.	PART NO.	QTY.	DESCRIPTION
1	601610	2	TIRE & WHEEL ASSEMBLY, 24 X 12-12 (WITH VALVE)
2	781245	2	TIRE 24 X 12 -12
3	601611	2	12 X 10.50 WHEEL ASSEMBLY
4	019521	4	TIRE VALVE TR - 412
5	601608	10	LUG BOLT 1/2 - 20 HXG8 60° TAPER
6	601612	2	TIRE & WHEEL ASSEMBLY, 20 X 8-10 (WITH VALVE)
7	600692	2	TIRE 20 X 8 -10
8	601613	2	10 X 7.00 WHEEL ASSEMBLY
9	601609	10	LUG BOLT 7/16 - 20 HZG8 75° TAPER

NOTES:

Section 10

Seat Assembly—S/N Prior to 09080000	10-2
Seat Assembly—S/N 09080000 through 11090597	10-4
Seat Assembly—S/N 11090597 through 13051165	10-6
Seat Assembly—S/N 13051166 & Higher	10-8
Seat Service Parts	10-10
Counter Weights—S/N Prior to 09050499	10-14

Seat Assembly—S/N Prior to 09080000



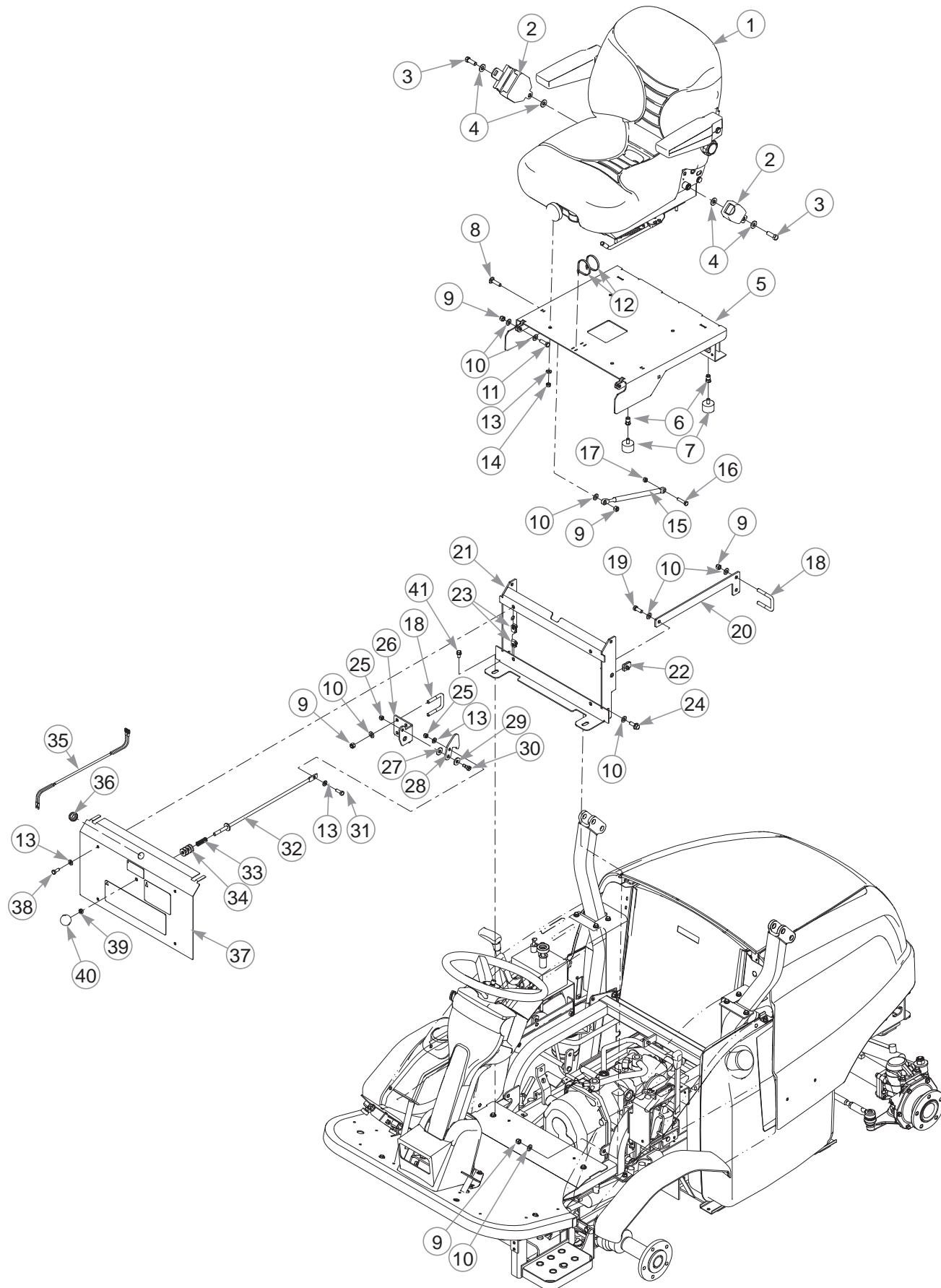
Seat Assembly—S/N Prior to 09080000

INDEX NO.	PART NO.	QTY.	DESCRIPTION
1	792051	1	SUSPENSION SEAT
2	601444	1	SEAT BELT
3	754101	2	CS .437-20 X 1.250 G5 ZNY
4	728147	4	FW .468 X 1.00 X .090 HT T ZN Y
5	N/A	1	SEAT PAN
6	109513	1	SEAT LATCH
7	036244	1	CS .375-16 X 1.000 HX G5
8	601371	1	RED GRIP 3/16 X 1 BAR HD
9	724716	1	FIBER WASHER
10	395160	1	SPRING
11	600994	2	RIVET NUT 3/8-16 THREAD
12	795161	2	VIBRATION MOUNT
13	086660	5	NT .375-16 HXZY NL
14	767954	10	FW .406 X .812 X .060 SAE
15	005132	2	CS .375-16 X 1.12 HX G5 Z
16	768523	8	FW .343 X .687 X .051
17	034272	4	NT .312-18 HX G5 ZNYC
18	000331	2	WIRE TIE, SMALL/SHORT
19	601620	1	SEAT PIGTAIL HARNESS
20	N/A	1	VERTICAL SEAT SUPPORT
21	029751	2	CS .375-16 X 1.000 HXFLK
22	601069	4	CN .312-18 X .200 MAX THK
23	601400	1	GROMMET
24	N/A	1	COVER PLATE
25	034280	4	CS .312-18 X .750 HX G5
26	010800816	2	HEX FLANGED BOLT M8 X 16 8.8

NOTES:

1. In the event the seat pan, vertical seat support or cover plate need to be replaced on mowers with serial numbers prior to 09080000, order 109510 (Seat Support Kit).

Seat Assembly—S/N 09080000 through 11090597

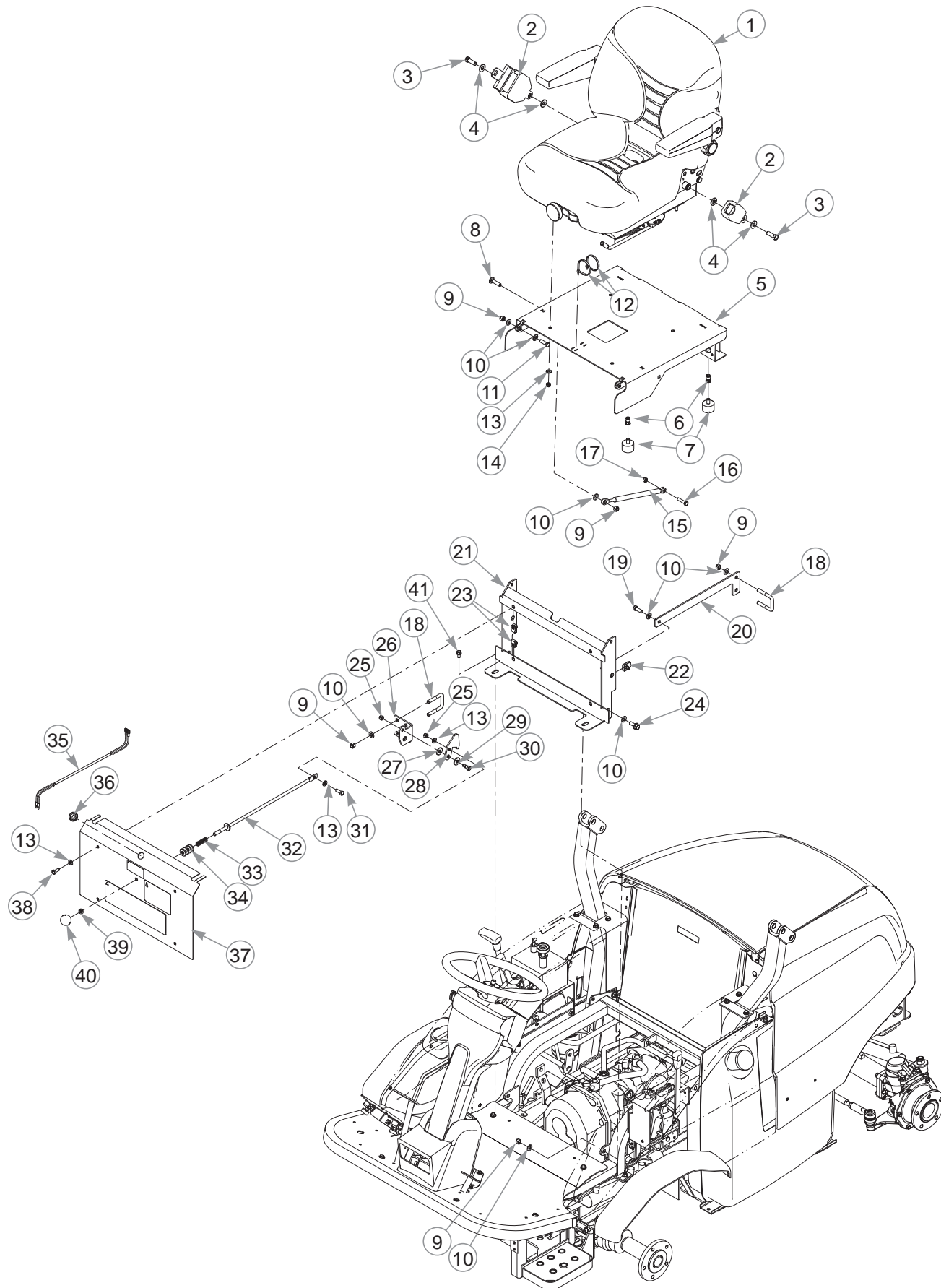


Seat Assembly—S/N 09080000 through 11090597

INDEX NO.	PART NO	QTY.	DESCRIPTION
1	792051	1	SUSPENSION SEAT
2	601444	1	SEAT BELT
3	754101	2	CS .437-20 X 1.250 G5 ZNY
4	728147	4	FW .468 X 1.00 X .090 HT T ZN Y
5	550401	1	SEAT PAN (WITH DECALS)
6	600994	2	3/8-16 THREAD RIVET NUT
7	795161	2	VIBRATION MOUNT ROUND
8	710194	1	CB .375-16 X 1.50 STD G5
9	086660	13	NT .375-16 HXZY NL
10	767954	19	FW .406 X .812 X .060 SAE
11	005132	2	CS .375-16 X 1.12 HX G5 Z
12	000331	2	WIRE TIE, SMALL/SHORT
13	768523	10	FW .343 X .687 X .051/.080H
14	034272	4	NT .312-18 HX G5 ZNYC
15	601564	1	GAS SPRING
16	602206	1	CS M8-1.25 X 35 FLTHRD ZN
17	045336	1	NT M8 X 1.25 HX GR8.8 ZNY
18	601300	4	U-BOLT FST JACK
19	036244	2	CS .375-16 X 1.000 HX G5
20	111826	2	SEAT SUPPORT BRACE
21	109506	1	SEAT, VERTICAL W/A
22	601758	2	CN .375-16 X .200 MAX THK
23	601069	4	CN .312-18 X .200 MAX THK
24	029751	2	CS .375-16 X 1.000 HXFLK
25	058776	2	NT .312-18 HXZY NL
26	111698	1	LATCH BRACKET
27	601507	1	FW .406 X 1.000 X .06 NYLON
28	111589	1	LATCH PLATE
29	704726	1	FW .406 X 1.00 X .105 ZNYC
30	754358	1	SB .375 X .375 SH .312-18
31	064014	1	CS .312-18 X .875 HX G5
32	111588	1	LATCH ROD
33	601131	1	SPRING
34	712919	4	FW .406 X 1.00 X .12 HRD Z
35	601620	1	HARNES, SEAT PIGTAIL
36	601400	1	GROMMET
37	549428	1	COVER PLATE (WITH DECALS)
38	034280	4	CS .312-18 X .750 HX G5
39	706176	1	NT .375-24 HX JAM G5 ZN
40	601059	1	KNOB 1.38 DIA 3/8-24
41	010800816	2	HEX FLANGED BOLT M8 X 16 8.8

NOTES:

Seat Assembly—S/N 11090597 through 13051165

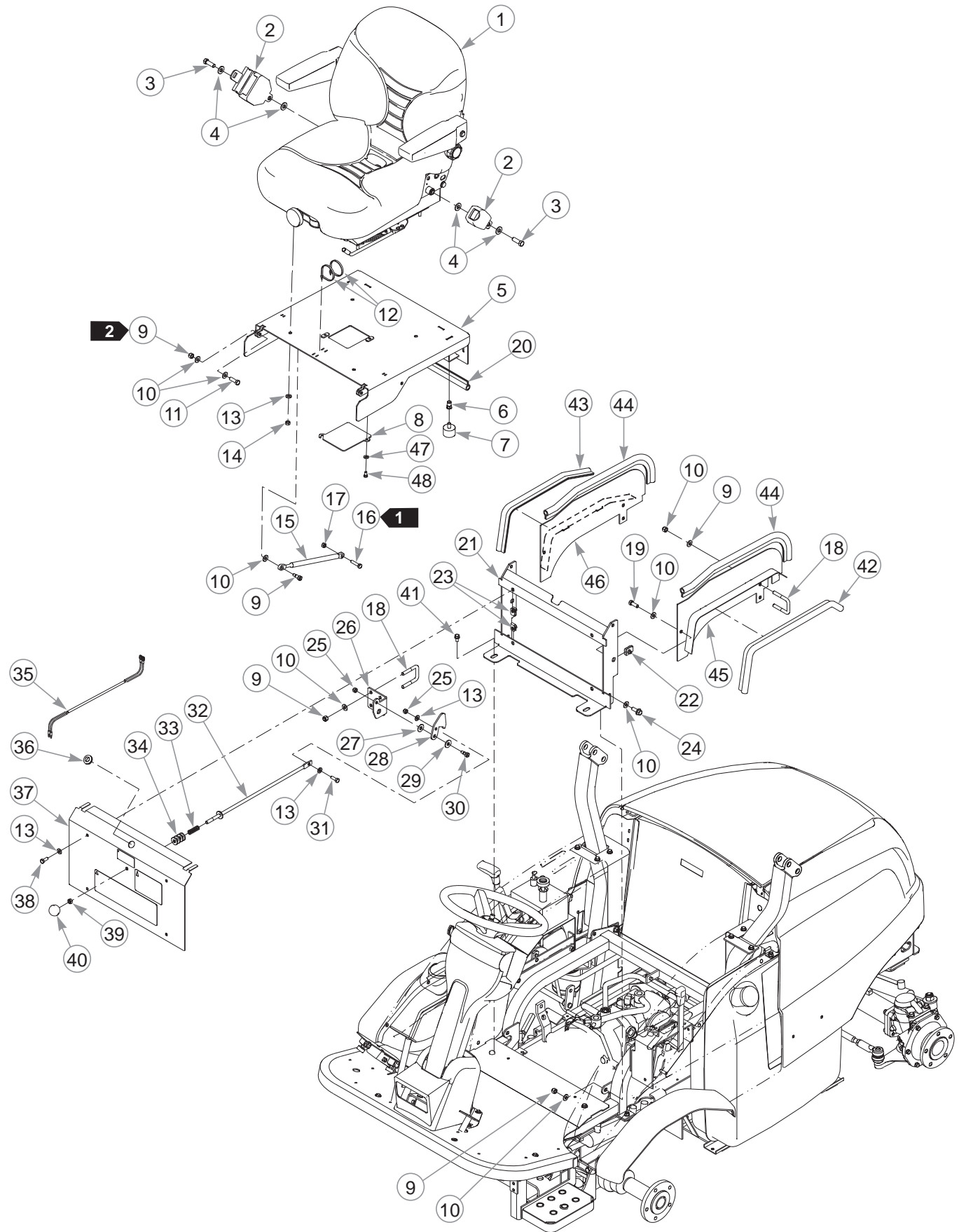


Seat Assembly—S/N 11090597 through 13051165

INDEX NO.	PART NO	QTY.	DESCRIPTION
1	792051	1	SUSPENSION SEAT
2	601444	1	SEAT BELT
3	754101	2	CS .437-20 X 1.250 G5 ZNY
4	728147	4	FW .468 X 1.00 X .090 HT T ZN Y
5	551053	1	SEAT PAN (WITH DECALS)
6	600994	2	3/8-16 THREAD RIVET NUT
7	795161	2	VIBRATION MOUNT ROUND
8	710194	1	CB .375-16 X 1.50 STD G5
9	086660	13	NT .375-16 HXZY NL
10	767954	19	FW .406 X .812 X .060 SAE
11	005132	2	CS .375-16 X 1.12 HX G5 Z
12	000331	2	WIRE TIE, SMALL/SHORT
13	768523	10	FW .343 X .687 X .051/.080H
14	034272	4	NT .312-18 HX G5 ZNYC
15	601564	1	GAS SPRING
16	602206	1	CS M8-1.25 X 35 FLTHRD ZN
17	045336	1	NT M8 X 1.25 HX GR8.8 ZNY
18	601300	4	U-BOLT FST JACK
19	036244	2	CS .375-16 X 1.000 HX G5
20	111826	2	SEAT SUPPORT BRACE
21	109506	1	SEAT, VERTICAL
22	601758	2	CN .375-16 X .200 MAX THK
23	601069	4	CN .312-18 X .200 MAX THK
24	029751	2	CS .375-16 X 1.000 HXFLK
25	058776	2	NT .312-18 HXZY NL
26	114703	1	LATCH BRACKET
27	601507	1	FW .406 X 1.000 X .06 NYLON
28	111589	1	LATCH PLATE
29	704726	1	FW .406 X 1.00 X .105 ZNYC
30	754358	1	SB .375 X .375 SH .312-18
31	064014	1	CS .312-18 X .875 HX G5
32	114702	1	LATCH ROD
33	601131	1	SPRING
34	712919	4	FW .406 X 1.00 X .12 HRD Z
35	601620	1	HARNES, SEAT PIGTAIL
36	601400	1	GROMMET
37	549428	1	COVER PLATE (WITH DECALS)
38	034280	4	CS .312-18 X .750 HX G5
39	706176	1	NT .375-24 HX JAM G5 ZN
40	601059	1	KNOB 1.38 DIA 3/8-24
41	010800816	2	HEX FLANGED BOLT M8 X 16 8.8

NOTES:

Seat Assembly—S/N 13051166 & Higher



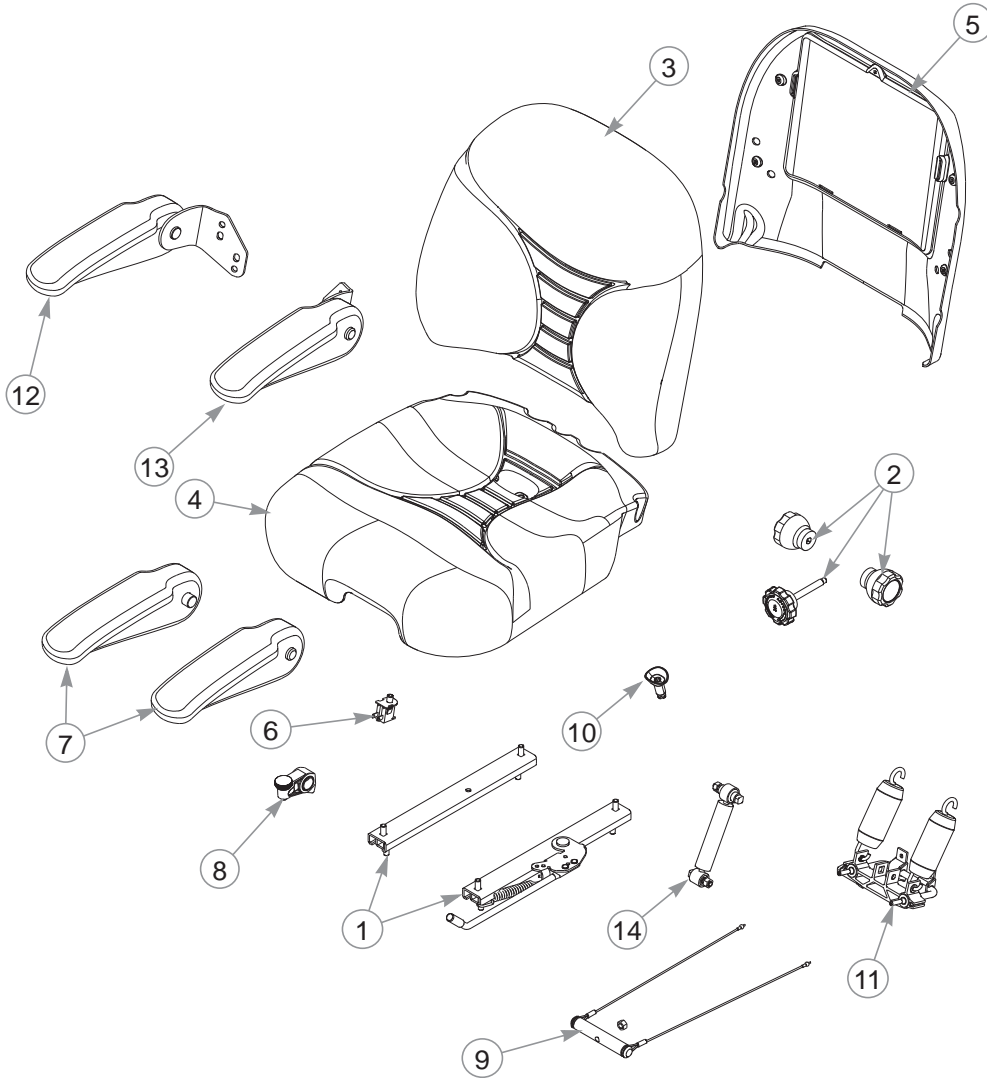
Seat Assembly—S/N 13051166 & Higher

INDEX NO.	PART NO	QTY.	DESCRIPTION
1	792051	1	SUSPENSION SEAT
2	601444	1	SEAT BELT
3	754101	2	CS .437-20 X 1.250 G5 ZNY
4	728147	4	FW .468 X 1.00 X .090 HT T ZN Y
5	551053	1	SEAT PAN (WITH DECALS)
6	600994	2	3/8-16 THREAD RIVET NUT
7	795161	2	VIBRATION MOUNT ROUND
8	116901	1	HATCH SEAT PLATE
9	086660	13	NT .375-16 HXZY NL
10	767954	19	FW .406 X .812 X .060 SAE
11	005132	2	CS .375-16 X 1.12 HX G5 Z
12	000331	2	WIRE TIE, SMALL/SHORT
13	768523	10	FW .343 X .687 X .051/.080H
14	034272	4	NT .312-18 HX G5 ZNYC
15	601564	1	GAS SPRING
16	602206	1	CS M8-1.25 X 35 FLTHRD ZN
17	045336	1	NT M8 X 1.25 HX GR8.8 ZNY
18	601300	4	U-BOLT FST JACK
19	036244	2	CS .375-16 X 1.000 HX G5
20	604162	1	TRIM SEAL 180 DEG. 19.00"
21	109506	1	SEAT, VERTICAL
22	601758	2	CN .375-16 X .200 MAX THK
23	601069	4	CN .312-18 X .200 MAX THK
24	029751	2	CS .375-16 X 1.000 HXFLK
25	058776	2	NT .312-18 HXZY NL
26	114703	1	LATCH BRACKET
27	601507	1	FW .406 X 1.000 X .06 NYLON
28	111589	1	LATCH PLATE
29	704726	1	FW .406 X 1.00 X .105 ZNYC
30	754358	1	SB .375 X .375 SH .312-18
31	064014	1	CS .312-18 X .875 HX G5
32	114702	1	LATCH ROD
33	601131	1	SPRING
34	712919	4	FW .406 X 1.00 X .12 HRD Z
35	601620	1	HARNESS, SEAT PIGTAIL
36	601400	1	GROMMET
37	549428	1	COVER PLATE (WITH DECALS)
38	034280	4	CS .312-18 X .750 HX G5
39	706176	1	NT .375-24 HX JAM G5 ZN
40	601059	1	KNOB 1.38 DIA 3/8-24
41	010800816	2	HEX FLANGED BOLT M8 X 16 8.8
42	604158	1	TRIM SEAL 180 DEG. 22.31"
43	604159	1	TRIM SEAL 180 DEG. 20.66"
44	604160	2	TRIM SEAL 180 DEG. 21.69"
45	116895	1	RS SEAT SUPPORT BRACKET
46	116892	1	LS SEAT SUPPORT BRACKET
47	703876	2	FW .266 X .625 X .036 ZNYC
48	055947	2	CS .250-20 X .500 HX G5

NOTES:

1. 602206 (bolt) attaches to the power unit frame. Secure it in place with the 045336 (nut).
2. Do not torque the seat pan it must pivot freely.

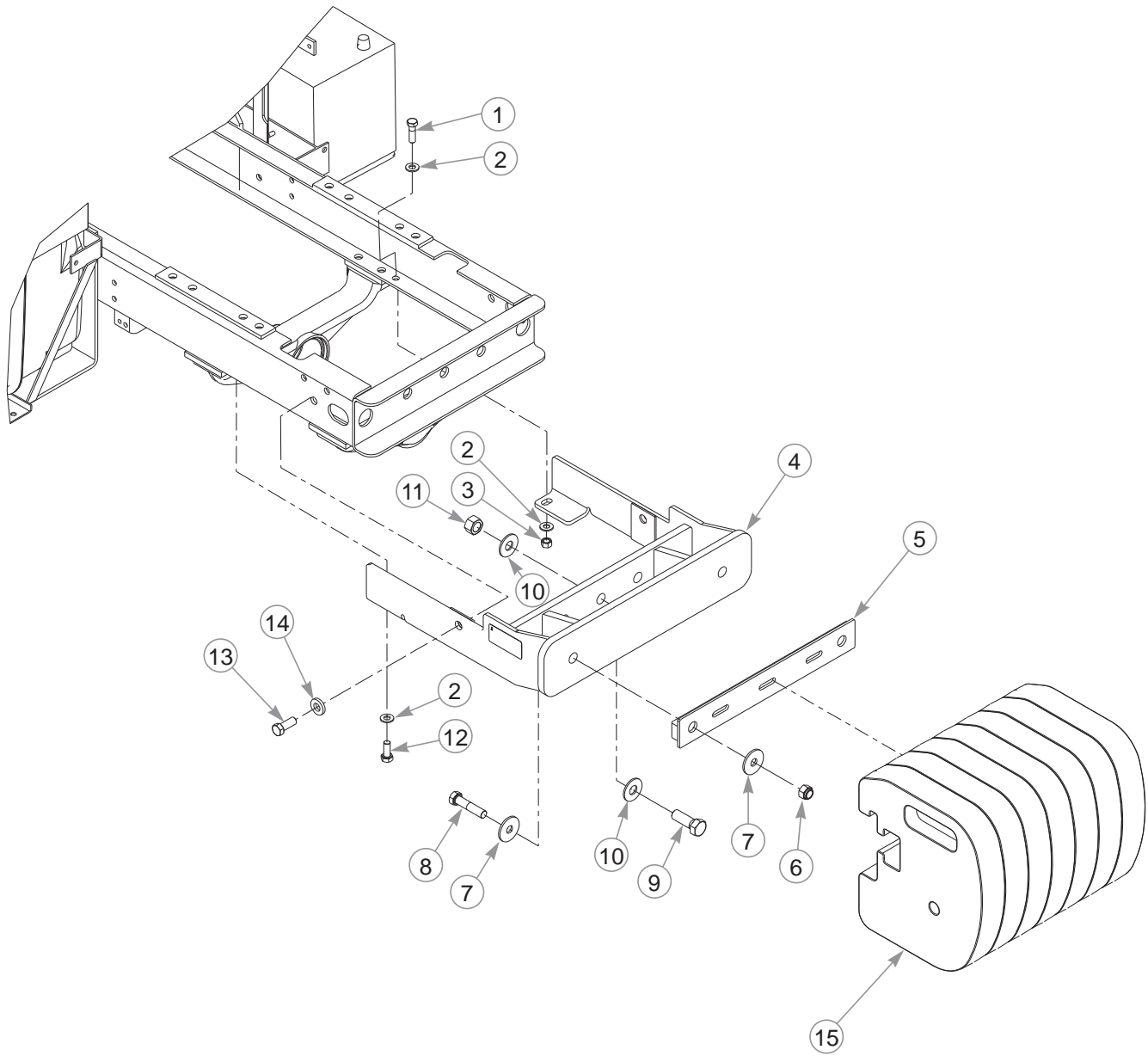
Seat Service Parts



INDEX NO.	PART NO.	QTY.	DESCRIPTION
1	793307	1	SLIDE KIT
2	793323	1	KNOB KIT
3	793281	1	BACK CUSHION KIT
4	793299	1	BOTTOM CUSHION KIT
5	797571	1	SEAT BACK PANEL KIT
6	793315	1	SEAT SWITCH
7	797480	1	MOLDED ROUND ARMREST
8	793273	1	ARMREST STOP ASSEMBLY
9	601458	1	SEAT WEIGHT ADJUSTMENT KIT
10	602076	1	SEAT DRAIN REPLACEMENT
11	603040	1	SPRING SADDLE KIT
12	601533	1	RS ROUND ARMREST ASSEMBLY (WITH BRACKET)
13	601534	1	LS ROUND ARMREST ASSEMBLY (WITH BRACKET)
14	603152	1	SHOCK ABSORBER KIT

This page intentionally left blank.

Counter Weights—S/N 09050499 & Higher



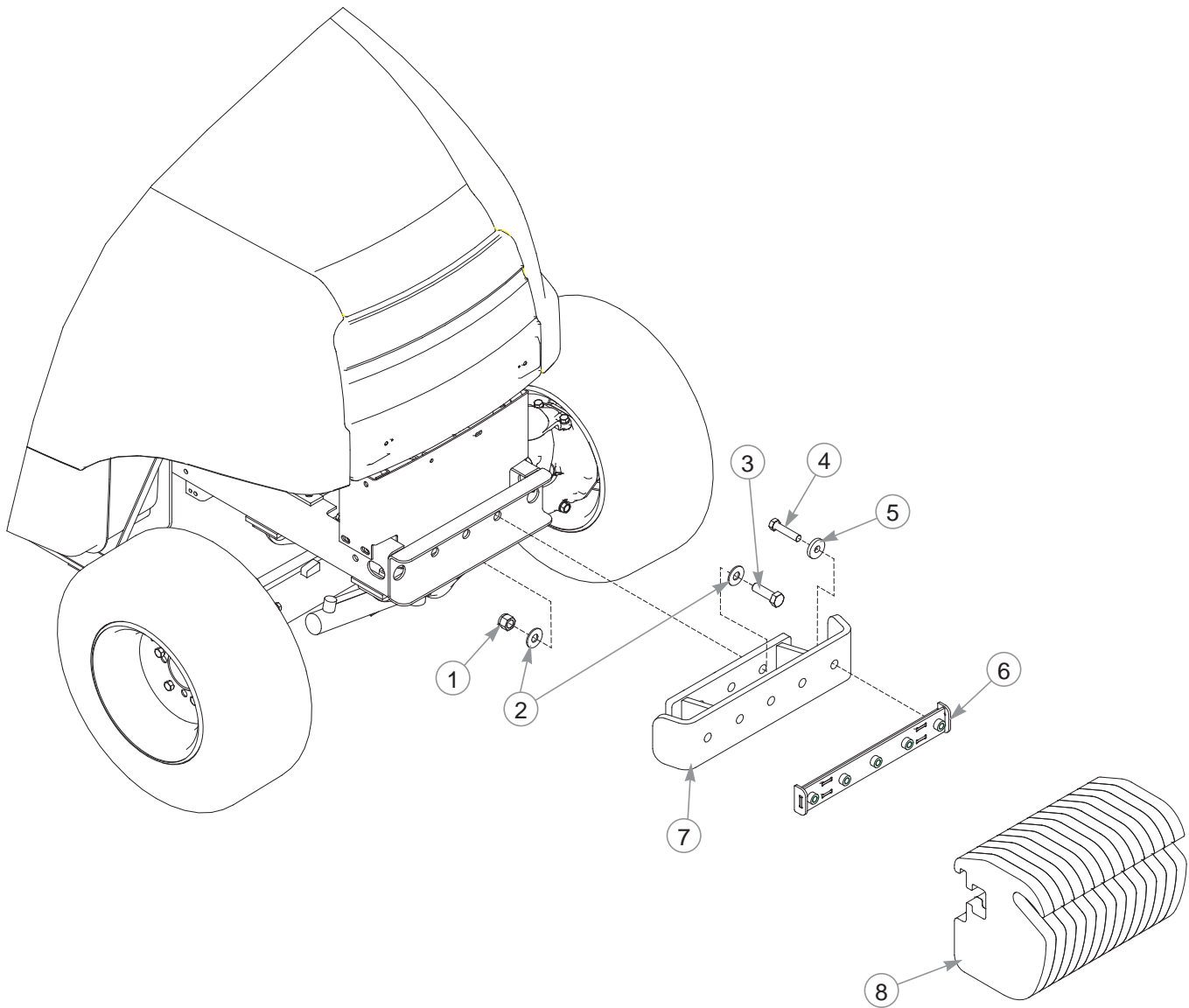
Counter Weights—S/N 09050499 & Higher

INDEX NO.	PART NO.	QTY.	DESCRIPTION
1	052860	1	CS .375-16 X 1.25 HX G5
2	767954	3	FW .406 X .812 X .060 SAE
3	054502	1	NT .375-16 HX G5 ZNY
4	111893	1	WEIGHT BRACKET
5	111333	1	U-CLAMP
6	781567	2	NT .500-13 NL G5
7	798603	4	FW .515 X 1.65 X .125 HD ZY
8	761544	2	CS .500-13 X 2.25 HX G8
9	025007	3	CS .625-11 X 1.75 HX G5
10	704783	6	FW .625 X 1.50 X .105 ZN
11	016972	3	NT .625-11 HX G5 ZNYC
12	038836	1	CS M10-1.50 X 25 HX G8.8 ZN
13	602196	2	CS M12-1.75 X 30 HX G8.8 ZN
14	767962	2	FW .531 X 1.063 X .090 SAE
15	602048	A/R	WEIGHT

NOTES:

1. For information about the amount of weight to use, refer to the attachment manual.

Counter Weights—S/N Prior to 09050499



Counter Weights—S/N Prior to 09050499

INDEX NO.	PART NO.	QTY.	DESCRIPTION
1	058768	3	NT .625-11 HXZY NY
2	704783	6	FW .625 X1.500 X .105 ZN
3	016642	3	CS .625-11 X 2.00 HX G5 Z
4	761544	5	CS .500-13 X 2.250 G8 ZNY
5	108059	5	FW .515 X 1.500 X .250 ZY
6	109853	1	U-CLAMP
7	109846	1	WEIGHT MOUNT
8	109847	A/R	WEIGHT

NOTES:

1. For information about the amount of weight to use, refer to the attachment manual.

Numerical Index

Part No.	Page No.	Part No.	Page No.	Part No.	Page No.
Index					
Part Numbers					
000331	10-3, 10-5, 10-7, 10-9	011510845	6-9	026100006	4-9, 4-13, 6-15
005132	10-5, 10-7, 10-9	011511016	6-3, 6-7	026100008	4-9
010109206	7-5	011511020	2-3, 2-5, 2-7, 3-3, 4-13, 6-3, 6-7, 6-9, 6-15	026100010	2-5, 3-3, 4-17, 6-11
010109265	6-9	011511025	4-4, 5-5, 5-19, 7-11	026100014	4-15
010109337	7-5	011511030	5-7, 5-17, 5-19	026100024	5-5
010109435	2-5	011511040	5-11	026109013	3-3
010109502	2-3	011511050	5-17, 6-9	027100008	4-15, 6-9, 7-5
010110660	6-15	011511220	5-11, 5-12	027100010	5-7, 5-11, 5-17, 7-9
010111030	5-11	011511230	3-3	027100014	2-3, 6-15, 7-9
010310820	2-3	011611020	6-15	029751	10-3, 10-5, 10-7, 10-9
010310825	4-13	011800816	7-5	030102015	4-9
010310830	4-15	012110625	7-2	030102020	4-15
010310835	6-9	012111020	5-17	030102025	4-9, 4-13
010310870	6-3	012111025	5-5	030102516	2-5
010311020	2-3, 7-9	012111035	5-7	030102520	4-3
010311025	2-3	012111040	5-5	030103225	4-9, 4-13, 4-17, 5-19
010311040	3-3, 7-5	012111050	5-7	030300412	6-9
010311070	4-9	015140514	8-3	030300528	6-3
010331225	6-9	015140616	4-9	030300625	4-15
010411212	5-17, 5-19	015150520	8-3	030300628	5-3, 5-11
010411425	2-3, 7-9	015300512	2-7	030300632	4-9, 5-3
010700618	6-5	015300614	6-12	030300840	4-17
010700620	6-3	015600416	2-7	030300850	5-3
010700625	5-3, 5-5	016642	10-15	030303532	4-9
010700855	5-17	020100006	7-13	030500625	5-11
010701035	6-9	020109029	5-19	030500820	5-5, 5-7, 5-17, 5-19
010701045	6-11	020109079	5-5	030501025	5-7, 5-19
010800612	2-7, 7-7	020109125	4-15	030501032	5-5
010800616	5-7, 7-7, 8-3	020109100	4-9	031100004	6-3
010800620	4-3, 6-15	020310010	6-3	031100010	2-5
010800814	4-4	020700010	6-3	031310820	4-9, 4-13
010800816	2-7, 4-13, 4-15, 4-17, 5-11, 5-19, 6-3, 7-5, 10-3, 10-5, 10-7, 10-9	020800014	5-19, 6-15	031311020	4-17
010800820	2-5, 7-7	020900008	4-13, 4-15, 6-9	031311030	4-9
010809007	2-5, 2-7	020900010	4-17, 7-5, 7-9	031311045	2-5
010810616	8-3	020900014	5-7	034272	4-10, 10-3, 10-5, 10-7, 10-9
010810630	6-3	020910012	3-5, 5-23	034280	10-3, 10-5, 10-7, 10-9
011140610	5-7	021000010	5-7	036100010	6-9
011140612	5-14	021000012	4-9	036100015	5-3
011310616	7-9	021010010	5-11, 5-17	036100020	6-11
011310620	6-15	021300006	5-7	036100025	5-5, 5-13, 5-14, 6-11
011310625	7-2	021500008	2-3, 4-9, 4-13, 6-3	036100030	5-9, 5-19
011311020	6-5	021500010	2-3, 4-9, 7-9	036100040	5-11
011311225	2-3	022300008	7-11	036244	10-5, 10-7, 10-9
011510812	3-3, 5-3, 6-3	022300010	3-3, 4-9	036500030	6-11
011510816	3-3	022400006	4-13, 6-15	036500042	5-7
011510820	2-3, 5-5, 5-19, 6-7, 7-9	022409003	2-3, 5-19	036500047	5-5
011510825	7-13	022509001	5-19	036500052	5-5, 5-7, 6-12
011510840	7-13	023100005	2-5, 2-7	036500055	6-11
		023100006	2-7, 7-2, 7-13, 8-3	036500065	5-19
		023100008	2-5, 2-7, 7-11	036500072	5-7
		025100012	5-17, 5-20	036800004	4-9
		025100016	5-5, 5-19		
		025100020	5-17		

Part No.	Page No.	Part No.	Page No.	Part No.	Page No.
036800010	5-3	058776	10-5, 10-7, 10-9	310110190	7-7
036800012	4-9, 4-13, 4-15	060610000	2-3, 3-3, 4-17	310110200	7-7
040106004	5-7, 6-3	060620000	3-3, 3-5, 5-19	310120260	7-7
040106006	5-7	060640000	3-3	310130290	7-7
040106008	5-11	064014	10-5, 10-7, 10-9	310140910	2-7
040106009	5-17	064210025	6-9	310161500	7-7
040106010	5-11	064400030	5-7	310161510	7-7
040106204	5-5, 5-7	064600016	5-5, 5-19	310250122	7-7
040106205	5-5, 5-19	067100043	7-7	310300880	7-7
040106206	5-7, 5-19	067100062	7-5	310301160	2-7
040106207	5-7, 5-17	067200078	7-11, 7-13	310301180	2-7
040106208	5-11	067200130	7-13	310352641	2-7
040106303	5-19	067200150	3-3	310353850	2-7
040106304	5-5	068109052	4-9	310353870	2-7
040109034	5-19	068109053	4-13, 6-3	310353890	2-7
040109054	5-7	068209075	7-11	310361381	7-7
040109065	5-19	083279	9-5, 9-7, 9-9	310361660	2-7
040116207	5-17	086660	10-5, 10-7, 10-9	310550110	7-7
040146000	6-9	108059	10-15	310560050	7-7
040146006	5-19	109506	10-5, 10-7, 10-9	310610470	7-11
042530205	5-17	109513	10-3	310610480	7-9
042532007	5-19	109627CE	1-1	310610490	7-9
042532206	5-5	109821	1-1	310610510	7-9
045336	10-5, 10-7, 10-9	109822	1-1	310610681	7-9
048100004	6-5	109853	10-15	312070670	4-9
048100010	5-3	110749	1-1	312100931	4-9
048109004	5-14	111333	10-13	312500502	4-9
048109041	5-13	111444	4-10	312700650	4-9
050201325	5-5	111588	10-5	312700662	4-13
050202220	5-7	111589	10-5, 10-7, 10-9	312740230	4-13
050202332	5-17	111698	10-5	314102391	7-5
050203115	5-3, 5-5	111826	10-5, 10-7	314102410	7-5
050209131	5-5	111893	10-13	314141190	7-5
050301165	5-17	114702	10-7, 10-9	314430531	7-5
050609047	5-11	114703	10-7, 10-9	314430670	7-5
052100100	5-3, 7-13	116892	10-9	314500860	7-5
052100110	5-7, 5-11, 6-3	116895	10-9	314541250	7-5
052100140	6-5, 6-7, 6-9, 6-15	116901	10-9	314541680	7-5
052100150	6-3	130340110	7-11	314601701	7-5
052100160	6-7	131646010	7-13	314990013	7-2, 7-5
052100200	6-3, 6-15	135616400	7-2	320040924	5-5, 5-9
052100210	5-13, 5-14, 5-17	135996590	7-2	320080101	5-7
052100250	6-7	199106020	6-15	320120500	5-5
052100400	7-13	199280560	5-17, 5-19	320171630	5-17
052110110	6-12	199280580	5-5, 5-17, 5-20	320201131	4-9
052110290	3-5, 5-23	199280590	5-5, 5-17, 5-20	320201200	5-5
052300400	6-9	199280630	5-5	320210370	5-3
052300600	5-5, 5-19, 6-3, 6-9	199280640	5-5	320260200	5-5
052300700	6-3	199280650	5-5	320551654	2-3
052310300	3-5, 5-23	199280720	5-17	320551671	2-3
052400380	5-23	199280730	5-17	320551690	2-3
052400520	3-5	199280740	5-17	320560771	2-3
052860	10-13	199280750	5-11	320690106	5-9
054502	10-13	199280760	5-11	320690108	5-9
055947	10-9	199280770	5-11	320690111	5-9
058768	10-15	310100980	7-7	320690112	5-9

Part No.	Page No.	Part No.	Page No.	Part No.	Page No.
320690130	5-9	322840797	6-11	326130472	5-11
320690149	5-9	322840799	6-11	326130530	5-17
320690154	5-9	322840800	6-11	326140030	5-11
320720230	6-9	322840801	6-11	326140211	5-17
320720290	5-7	322840802	6-11	326160030	5-11
322017760	5-17	322840803	6-11	326160060	5-17
322051270	5-17	322840804	6-11	326170060	5-11
322051500	5-5	322840805	6-11	326211660	5-19
322117431	5-19	322840806	6-11	326211670	5-19
322117451	5-19	322840807	6-11	326220420	5-11
322117471	5-19	322840808	6-11	326220430	5-11
322119060	5-5	322840809	6-11	326220530	5-11
322119080	5-7	322840810	6-11	326220540	5-11
322140270	5-5	322840813	6-11	326240600	5-19
322141991	5-5	322840814	6-11	326240690	5-19
322213450	5-7	322840817	6-12	326302050	5-11
322213490	5-19	322840818	6-12	326312401	5-19
322262800	6-3	322840819	6-12	326344970	5-14
322262850	5-17	322840820	6-12	326345230	5-17
322263130	5-17	322840821	6-12	326345250	5-17
322325740	5-7	322840822	6-12	326345550	5-13
322325750	5-5	322840823	6-11	326345570	5-13
322325760	5-5	322840825	6-11	326370840	5-19
322327130	5-5	322840990	6-11	326530330	5-11
322327140	5-5	324106610	5-3	326550210	4-17, 5-11
322327150	5-5	324106620	5-3	326570400	5-11
322361500	5-7	324106670	4-13	326610181	5-11
322371980	5-7	324106690	4-13	328110220	5-14
322513460	5-7	324106710	4-13	328110250	5-13
322513491	5-19	324106720	5-3	328260170	5-11
322513660	5-17	324106770	4-15	328260190	5-11
322514580	5-5	324106780	4-15	328300570	5-14
322514660	5-7	324106790	4-15	328300580	5-14
322521520	5-7	324106800	4-9	328300650	5-13
322531610	5-7	324108031	4-9	328300660	5-13
322531621	5-5	324108170	4-9	328320990	4-13
322531630	5-7	324120980	6-9	328360440	5-11, 5-12
322590820	5-5	324121000	4-9, 4-13	328400560	4-13
322591110	5-5	324202700	5-3	328400670	4-13
322610140	5-17	324202780	6-9	328490045	5-14
322613180	6-9	324312960	5-3	328560190	5-14
322630140	6-9	324362080	4-13	328560400	5-14
322800162	6-9, 6-11	324362090	4-13	328560410	5-14
322840727	6-11	324412290	5-3	328560430	5-13
322840728	6-11	324412390	5-3	328560440	5-13
322840773	6-11	324501260	6-9	328560450	5-13
322840774	6-11	324501270	4-9	328650191	4-13
322840775	6-11	324501280	4-9	330311370	5-19
322840779	6-12	324541301	4-9	334011200	6-15
322840790	6-11	324541560	4-9	334293135	6-15
322840791	6-11	324910090	5-7	334525090	5-19
322840792	6-11	326010410	5-17	334712030	5-19
322840793	6-11	326110593	5-11	334800360	4-15
322840794	6-11	326110880	5-17	334800420	4-15
322840795	6-11	326111090	5-17	334801360	5-19
322840796	6-11	326130343	5-11	334801390	5-19

Part No.	Page No.	Part No.	Page No.	Part No.	Page No.
340016721	6-3, 6-5	344960452	3-5, 5-23	378306930	2-3
340106520	6-3	350103830	2-5	378910020	6-9
340106620	6-9	350111380	2-5	385101910	8-3
340170880	3-3	350312260	2-7	385150200	2-5, 8-3
340292120	6-3, 6-5	350502753	2-5	385200570	8-3
340293826	6-5	350502770	2-5	385200731	8-3
340451030	6-3, 6-13	350502781	2-5	385200891	8-3
340460180	6-3	350755850	7-5	385201810	8-3
340490224	6-13	350755992	2-5	385202100	8-3
340500750	6-7	355105920	2-5	385202110	8-3
340501040	6-7	355105931	2-5	385230250	8-3
340530290	6-7	355111970	2-5	385230300	8-3
340550870	6-3	355171760	2-5	385240038	8-3
340560340	6-7	355605290	2-3	385250130	8-3
340615881	5-7	355780230	2-7	385280210	8-3
340621880	6-3	355780250	2-7	385310021	4-4
340670030	6-7	358104750	4-17	385603370	8-3
340670280	5-19	358104770	4-17	385611040	8-3
340671220	6-15	358104780	4-15	385612820	8-3
340671381	6-15	358200930	4-15	385650461	8-3
340671730	6-3	358200940	4-17	385650511	8-3
340671810	6-3	358500261	4-17	385870301	8-3
340672830	3-3	358511120	4-17	385870640	8-3
340673520	6-7	358511220	4-15	385891128	3-3
340673590	3-3	358511230	4-15	385960550	3-3
340673640	6-7	358511250	4-15	389101950	7-13
340673820	3-3	358550010	4-17	389320231	7-13
340673870	6-9, 6-15	358550020	4-17	389410310	7-13
340690450	3-3	358550190	4-17	390173600	9-3
340692010	6-3	358560180	4-9	390173650	9-3
340692021	6-15	358560190	4-9	390191690	9-3
340692060	6-7	360102060	5-7	390197120	9-3
340692350	3-3	360102110	7-11	390197710	9-3
340692490	5-7	360200670	7-11	390197720	9-3
340692650	6-15	360300080	7-11	390372000	9-3
340693571	6-3	360410100	7-7	390372400	9-3
340707970	6-3	360700230	7-13	398110100	2-7
340707980	6-7	360710060	7-13	398110110	2-3, 4-17, 7-11
340707991	6-15	360720130	7-13	398110240	7-7
340708000	6-15	360740123	7-13	398110501	7-7
340708010	6-15	360771060	7-13	398110550	7-9
340708020	6-15	360771080	7-13	398111640	4-15
340708040	6-3	360771170	7-7	398113000	4-17
340708050	6-3	360771280	7-7	398113310	6-3
340708060	6-3	360771290	7-13	398113570	7-11
340750301	6-3	360800040	7-13	398114451	4-9
344010270	3-3	370310590	3-3	398115430	2-5
344010280	3-3	370310610	3-3	398115500	5-5
344902310	3-3	370770130	3-3	398115530	7-11
344952381	5-19, 5-23	370900760	3-3	398115630	6-15
344952790	3-3, 3-5	378107720	2-5	398117180	4-15
344960429	3-5, 5-23	378107730	2-5	398117710	2-7
344960432	3-5, 5-23	378107740	2-5	398117790	4-17
344960436	3-5	378107750	2-5	398119670	7-7
344960437	3-5, 5-23	378306890	2-3	398119870	8-3
344960440	3-5, 5-20, 5-23	378306910	2-3	398119972	7-5

Part No.	Page No.	Part No.	Page No.	Part No.	Page No.
398120410	2-5	398750150	7-13	551053	10-7, 10-9
398120790	7-9	398750240	7-9, 8-3	599730030	3-3
398120950	6-9	398750410	7-5	600692	9-9
398121150	2-5	398750420	6-3	600994	10-5, 10-7, 10-9
398121160	7-7	398750430	7-7	601059	10-5, 10-7, 10-9
398121440	2-5	399030010	5-19	601069	10-3, 10-5, 10-7, 10-9
398123020	2-7	399030030	5-19	601131	10-5, 10-7, 10-9
398123110	2-7	399100630	6-15	601300	10-5, 10-7, 10-9
398130310	7-11	399110340	6-15	601400	10-3, 10-5, 10-7, 10-9
398131210	2-5	399111960	7-7	601415	9-5, 9-7
398131310	2-5	399111970	2-3	601444	10-3, 10-5, 10-7, 10-9
398133690	2-7	399112130	6-15	601458	10-10
398134730	2-7	399113240	6-3	601507	10-5, 10-7, 10-9
398180332	6-3	399113620	7-7	601533	10-10
398180610	6-3	399113650	4-9, 8-3	601534	10-10
398180671	2-5	399210710	5-19	601564	10-5, 10-7, 10-9
398180890	4-13	399211670	5-5	601604	9-5, 9-7, 9-9
398181770	2-7	399211890	4-9	601605	9-5, 9-7
398182120	4-9	399232470	5-17	601606	9-9
398210280	5-3	399233780	5-5	601607	9-5, 9-7
398210290	4-17	399235520	5-7	601610	9-9
398211210	2-5	399235760	2-5	601612	9-9
398211880	8-3	399260130	5-11	601613	9-9
398212310	3-3	399261070	5-17	601620	10-3, 10-5, 10-7, 10-9
398213340	5-14	399261080	5-17	601622	9-5, 9-7
398213410	2-3	399261260	5-11	601625	9-5, 9-7, 9-9
398214450	5-3	399261320	5-7	601635	9-5, 9-7
398214540	5-11	399261500	5-7	601758	10-5, 10-7, 10-9
398214590	4-9, 5-11, 5-12	399310330	5-11	601968	9-5, 9-7
398215500	4-13	399370740	5-17	602075	9-5, 9-7
398215650	5-13	399410140	4-9	602076	10-10
398216290	4-3	399431070	4-9, 4-13	602206	10-5, 10-7, 10-9
398230070	2-3	399564790	5-3	602327	9-7
398330290	2-7	399568660	5-7	602562	4-10
398330320	2-7	399568720	3-3	603040	10-10
398340610	5-13	399568730	4-9	603152	10-10
398380850	6-9	399568740	4-4	604158	10-9
398400430	5-17	399568751	4-4	604159	10-9
398400550	5-7	399570110	6-3	604160	10-9
398480240	6-3, 6-15	399581550	4-3	604162	10-9
398480320	6-3	399600110	3-3, 5-19	703876	10-9
398481040	6-3	399611460	2-3	704726	10-5, 10-7, 10-9
398481300	6-3	399612071	5-19	704783	10-15
398510070	2-3, 4-17	399612150	5-3	706176	10-5, 10-7, 10-9
398510150	6-9	410810430	6-12	710194	10-5, 10-7
398510300	3-3	485220181	8-3	712919	10-5, 10-7, 10-9
398510350	5-17	490992440	9-3	728147	10-3, 10-5, 10-7, 10-9
398510750	7-13	490992470	9-3	728469	9-5, 9-7
398511310	4-15, 5-3	490992480	9-3	754101	10-3, 10-5, 10-7, 10-9
398511320	4-9, 4-13, 4-15	490992490	9-3	754358	10-5, 10-7, 10-9
398511930	5-7	498211470	5-11		
398511990	4-4	498221080	6-9		
398512160	2-5	498221100	4-9		
398560730	5-9	511380070	5-5		
398566470	5-5, 5-7	549428	10-5, 10-7, 10-9		
398566480	5-7	550401	10-5		

Part No.	Page No.	Part No.	Page No.	Part No.	Page No.
756270	4-10	785261	7-5	793315	10-10
761544	10-15	785279	7-5	793323	10-10
767954	10-5, 10-7, 10-9, 10-13	789776CE	4-10	795161	10-5, 10-7, 10-9
768523	10-3, 10-5, 10-7, 10-9	792051	10-3, 10-5, 10-7, 10-9	797480	10-10
776310	4-10	793273	10-10	797571	10-10
781245	9-9	793281	10-10	808485	4-10
781567	10-13	793299	10-10	928713CE	1-1
		793307	10-10		